

### TECHNICAL DATA SHEET

#### ALYA

##### Product typology

CUT-OFF LED luminaire for street and urban areas illumination (IP66) for pole top head or bracket installation on Ø60 mm poles

##### Material technical spec

Die-cast aluminum housing (ADC12) powder coated RAL7016  
 Adjustable top pole-head in die-cast aluminum powder coated RAL7016  
 Special polyester powder coating to ensure over 10 years protection against weathering  
 Flat tempered glass diffuser (4 mm thick)  
 Wiring plate in reinforced thermoplastic black painted  
 Silicone gasket  
 Stainless steel A2 screws

Colore: anthracite

##### Lighting technical spec

LED light source in a fixed position  
 High efficiency lens in PMMA or PC material, available in the CP1, RT1, AS1, AS2, AM1 and PP1 versions  
 Immediately ON at 100% of the light flux (soft start at 0,5 seconds)  
 Chip Lumileds® Luxeon® 3030 2D (optional Chip Lumileds® Luxeon® 5050)  
 CUT-OFF luminaire conforming to all regional/local laws against light pollution

##### Wiring technical spec

Tool-free simplified maintenance to access the optics  
 Quick connection between driver and optical unit through polarized connector  
 Quick connection between driver and switch through polarized connector  
 Dimmable driver 1-10 V (standard configuration), PWM or virtual midnight reprogrammable  
 Driver with over-temperature protection  
 Luminaire equipped with osmotic valve for air and umidity leakage

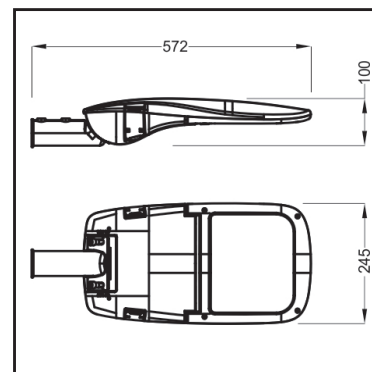
##### Installation and maintenance technical spec

Luminaire for direct installation on Ø 60 mm poles or bracket  
 M20 cable gland suitable for Ø 6-12 mm cable  
 No ordinary maintenace needed  
 Fast tool-free extra-maintenance and possibility to replace the optic group and/or the wiring  
 No voltage when opening the luminaire through disconnecting switch  
 Adjustable top pole-head in vertical/horizontal position with adjustable inclination of ±10° (with 5° step)

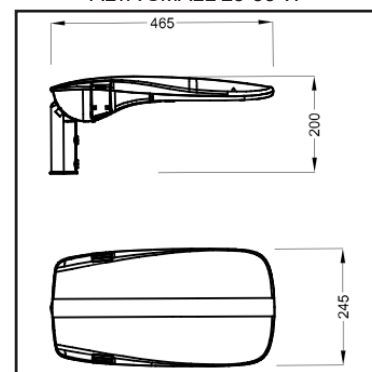
##### Technical spec

- CRI	>70	- Working voltage	176-305 Vac
- Step McAdam	3	- Rated frequency	190-250 Vdc
- Luminaire lifetime	L80/B10 100.000 h@25°C	- IP protection	50/60 Hz
- RG	1	- Resistance to impacts	IP66
- Power factor	>0,975	- Surgeon protection	IK08
- Insulation class	I, II		DM6kVA
			CM10kVA

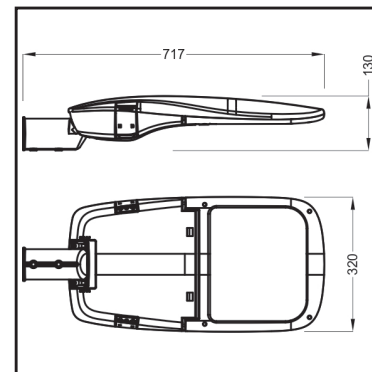
Weight/Dimension	ALYA SMALL 25-55 W	ALYA MEDIUM 60-110 W
Net weight	4 kg	7 kg
Gross weight	5 kg	8,2 kg
Luminaire dimension	465x245x200 mm (pole top head configuration)	635x320x210 mm (pole top head configuration)
	572x245x100 mm (bracket configuration)	717x320x130 mm (bracket configuration)
Packaging dimension	610x290xh170 mm	750x380xh160 mm



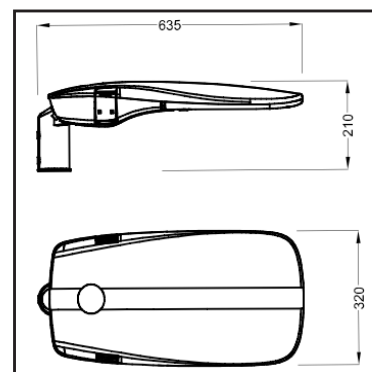
ALYA SMALL 25-55 W



ALYA SMALL 25-55 W

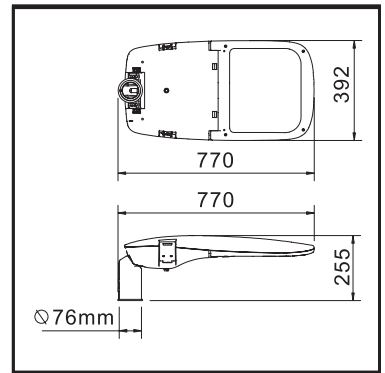
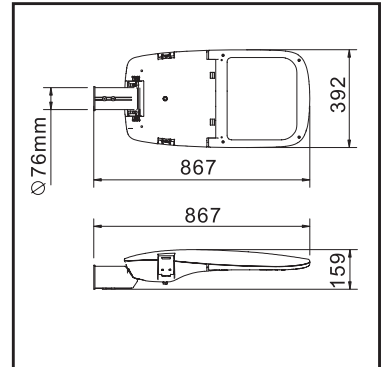


ALYA MEDIUM 60-110 W



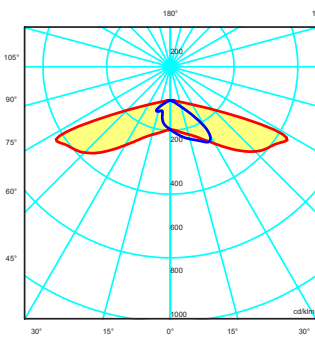
ALYA MEDIUM 60-110 W

Pesi/Dimensioni	ALYA 120 W	ALYA 150 W
Net weight	11,4 kg	11,8 kg
Gross weight	12,4 kg	12,8 kg
Luminaire dimension	770x392x255 mm (pole top head configuration)	770x392x255 mm (pole top head configuration)
	867x392xh159 mm (bracket configuration)	867x392xh159 mm (bracket configuration)
Packaging dimension	920x440xh200 mm	920x440xh200 mm

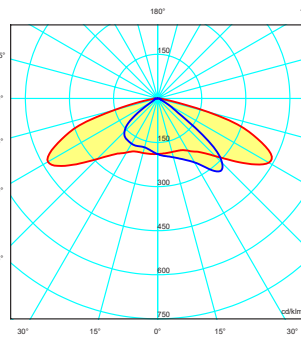


ALYA 120-150 W

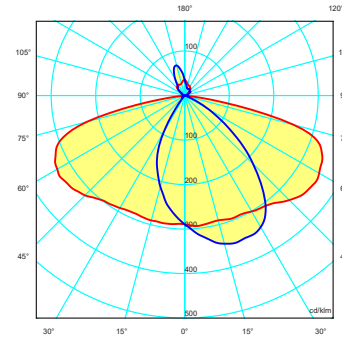
**Lenses**



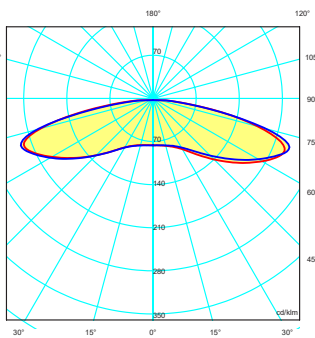
**CP1 - Cycle and pedestrian**



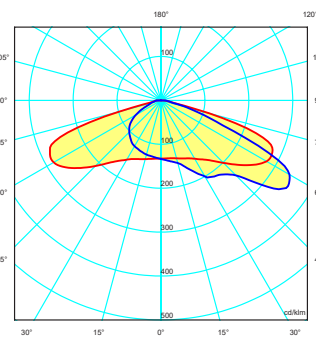
**AS1 - Type II short**



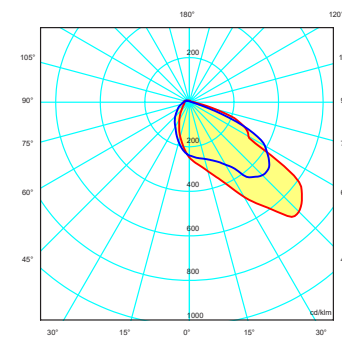
**AS2 - Type II short**



**RT1 - Concentric**



**AM1 - Type medium**



**PP1 - Crosswalk**

Codice d'ordine del prodotto - Product Code						
Esempio - E.g. : A1.1.2.7.035.1.S ( Alya Small CP1 Classe 2 CRI>70 35W 3000K Antracite) - Dimensioni Shell 572x245x100mm						
Prodotto Product	Ottica Optical	Classe Class	CRI CRI	Potenza Power	CCT CCT	Colore Color
<b>A1</b> Alya Small	<b>1</b> CP1	<b>1</b> Classe 1	<b>7</b> CRI >70	<b>030</b> 30W	<b>1</b> 3000K	<b>S</b> Antracite
	<b>2</b> RT1	<b>2</b> Classe 2		<b>035</b> 35W	<b>2</b> 4000K	
	<b>3</b> AS1			<b>040</b> 40W	<b>4</b> 5000K	
	<b>4</b> AS2			<b>045</b> 45W	<b>3</b> 6000K	
	<b>5</b> AM1			<b>050</b> 50W		
	<b>6</b> PP1 DX			<b>055</b> 55W		
	<b>7</b> PP1 SX					

Codice d'ordine del prodotto - Product Code						
Esempio - E.g. : A0.1.2.7.055.1.S ( Alya Medium CP1 Classe 2 CRI>70 55W 3000K Antracite) - Dimensioni Shell 717x320x130mm						
Prodotto Product	Ottica Optical	Classe Class	CRI CRI	Potenza Power	CCT CCT	Colore Color
<b>A0</b> Alya Medium	<b>1</b> CP1	<b>1</b> Classe 1	<b>7</b> CRI >70	<b>055</b> 55W	<b>1</b> 3000K	<b>S</b> Antracite
	<b>2</b> RT1	<b>2</b> Classe 2		<b>060</b> 60W	<b>2</b> 4000K	
	<b>3</b> AS1			<b>065</b> 65W	<b>4</b> 5000K	
	<b>4</b> AS2			<b>070</b> 70W	<b>3</b> 6000K	
	<b>5</b> AM1			<b>075</b> 75W		
	<b>6</b> PP1 DX			<b>080</b> 80W		
	<b>7</b> PP1 SX			<b>085</b> 85W		
			<b>090</b> 90W			
			<b>095</b> 95W			
			<b>100</b> 100W			

Potenza Nominale Nominal Power	Temperatura colore Color temperature	Flusso apparecchio* Luminaire flux	Efficienza apparecchio Luminaire efficiency	Potenza apparecchio Luminaire consumption	Assorbimento scheda LED PCB LED consumption	Efficienza scheda LED PCB LED efficiency	Flusso scheda LED* PCB LED flux
25 W	4000 K	3.295 lm@ta25°C	136 lm/W	24,2 W	22,5 W	172 lm/W	3.878 lm@ta25°C
30 W	4000 K	3.940 lm@ta25°C	135 lm/W	29,2 W	27,0 W	172 lm/W	4.637 lm@ta25°C
35 W	4000 K	4.540 lm@ta25°C	133 lm/W	34,2 W	31,7 W	169 lm/W	5.344 lm@ta25°C
40 W	4000 K	5.160 lm@ta25°C	131 lm/W	39,2 W	36,0 W	169 lm/W	6.073 lm@ta25°C
45 W	4000 K	5.550 lm@ta25°C	125 lm/W	44,4 W	40,3 W	162 lm/W	6.532 lm@ta25°C
50 W	4000 K	6.126 lm@ta25°C	124 lm/W	49,4 W	45,3 W	159 lm/W	7.210 lm@ta25°C
55 W	4000 K	6.595 lm@ta25°C	123 lm/W	53,8 W	49,7 W	156 lm/W	7.762 lm@ta25°C
60 W	4000 K	8.460 lm@ta25°C	142 lm/W	59,6 W	54,0 W	184 lm/W	9.957lm@ta25°C
65 W	4000 K	9.015 lm@ta25°C	140 lm/W	64,5 W	58,9 W	180 lm/W	10.611 lm@ta25°C
70 W	4000 K	9.575 lm@ta25°C	138 lm/W	69,4 W	63,7 W	177 lm/W	11.270 lm@ta25°C
75 W	4000 K	10.070 lm@ta25°C	136 lm/W	73,9 W	68,6 W	173 lm/W	11.852 lm@ta25°C
80 W	4000 K	10.719 lm@ta25°C	135 lm/W	79,4 W	73,4 W	172 lm/W	12.616 lm@ta25°C
85 W	4000 K	11.230 lm@ta25°C	135 lm/W	83,5 W	76,7 W	172 lm/W	13.218 lm@ta25°C
90 W	4000 K	12.042 lm@ta25°C	135 lm/W	89,2 W	81,6 W	174 lm/W	14.173 lm@ta25°C
95 W	4000 K	12.430 lm@ta25°C	132 lm/W	94,4 W	86,4 W	169 lm/W	14.630 lm@ta25°C
100 W	4000 K	12.900 lm@ta25°C	130 lm/W	99,2 W	91,8 W	165 lm/W	15.183 lm@ta25°C

\*lumen referred to CRI70. Conversion factor for CRI80: 0,99

Conversion factor for lumen at 3000 K: 0,93; conversion factor for lumen at 5500 K: 1,02

**CE IP66 CUT OFF IK08**

