

TECHNICAL DATA SHEET

ARGO

Product typology

CUT-OFF LED luminaire for street and urban areas illumination (IP66) for pole top head or bracket installation on Ø60 mm poles

Material technical spec

Die-cast aluminum housing (ADC12) powder coated RAL7016
 Adjustable top pole-head in die-cast aluminum powder coated RAL7016
 Special polyester powder coating to ensure over 10 years protection against weathering
 Flat tempered glass diffuser (4 mm thick)
 Wiring plate in reinforced thermoplastic black painted
 Silicone gasket
 Stainless steel A2 screws

Colore: anthracite

Lighting technical spec

LED light source in a fixed position
 High efficiency lens in PMMA or PC material, available in the CP1, RT1, AS1, AS2 and AS3 versions
 Immediately ON at 100% of the light flux (soft start at 0,5 seconds)
 Chip Lumileds®
 CUT-OFF luminaire conforming to all regional/local laws against light pollution

Wiring technical spec

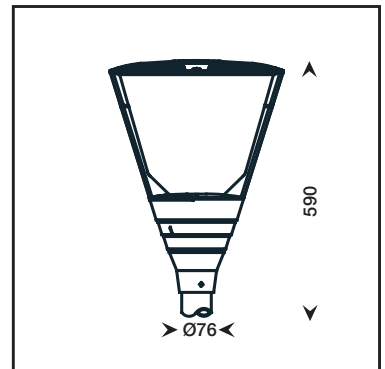
Tool-free simplified maintenance to access the optics
 Quick connection between driver and optical unit through polarized connector
 Quick connection between driver and switch through polarized connector
 Dimmable driver 1-10 V (standard configuration), PWM or virtual midnight reprogrammable
 Driver with over-temperature protection
 Luminaire equipped with osmotic valve for air and umidity leakage

Installation and maintenance technical spec

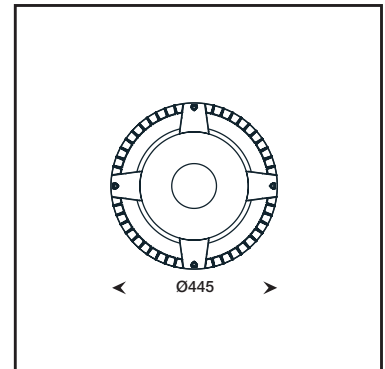
Luminaire for direct installation on Ø 60 mm poles or bracket
 M20 cable gland suitable for Ø 6-12 mm cable
 No ordinary maintenance needed
 Fast tool-free extra-maintenance and possibility to replace the optic group and/or the wiring
 No voltage when opening the luminaire through disconnecting switch
 Adjustable top pole-head in vertical/horizontal position with adjustable inclination of ±10° (with 5° step)

Technical spec

- CRI	>70	- Working voltage	176-305 Vac
- Step McAdam	3	- Rated frequency	190-250 Vdc
- Lifetime LED	>54.000 h@25°C	- IP protection	50/60 Hz
- Lifetime Driver	100.000 h@75°Tp	- Resistance to impacts	IP66
- RG	1	- Insulation class	IK08
- Power factor	>0,975	- Surge protection	I, II
			DM6kVA
			CM10kVA



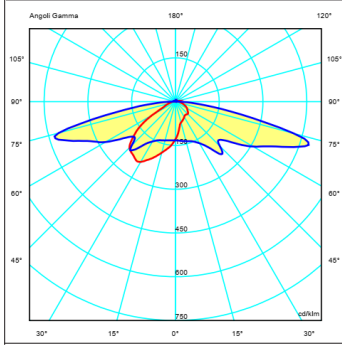
ARGO



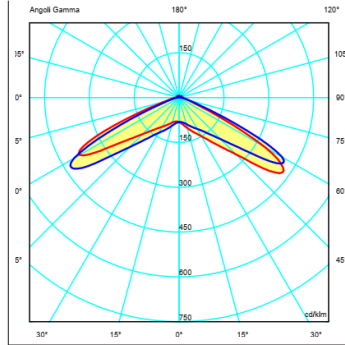
Weight/Dimension	ARGO
Net weight	-
Luminaire dimension	590x445 mm
Packaging dimension	465x465x610 mm



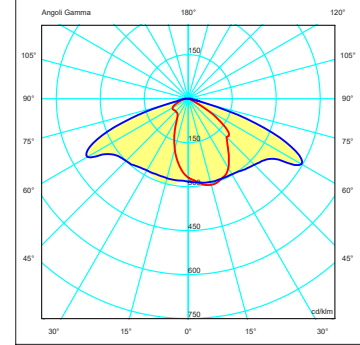
Lenses



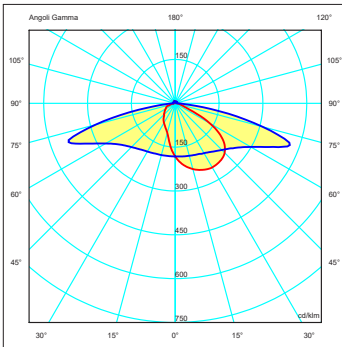
CP1 - Cycle and pedestrian



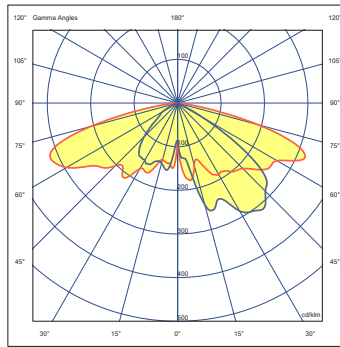
AS1 - Type II short



AS2 - Type II short



RT1 - Concentric



AS3 - Type II short

Codice d'ordine del prodotto -
Esempio: DD.1.2.7.035.1.S (ARGO CP1 Classe 2 CRI>70 37W 3000K Antracite)

DD	1	2	7	035	1	S
Prodotto Product	Ottica Optical	Classe Class	CRI CRI	Potenza Power	CCT CCT	Colore Color
DD Argo	1 CP1	1 Classe 1	7 CRI >70	015 15W	0 2700K	S Antracite
	2 RT1	2 Classe 2		020 20W	1 3000K	
	3 AS1			025 25W	2 4000K	
	4 AS2			030 30W		
	7 AS3			035 35W		

Soluzioni con una scheda LED

Potenza Nominale Nominal Power	Temperatura colore Color temperature	Flusso apparecchio* Luminaire flux	Efficienza apparecchio Luminaire efficiency	Potenza apparecchio Luminaire consumption	Assorbimento scheda LED PCB LED consumption	Efficienza scheda LED PCB LED efficiency	Flusso scheda LED* PCB LED flux	Corrente in ingresso Input current
15 W	3000 K	2.330 lm@ta25°C	-	15,8 W	-	-	-	230 mA
20 W	3000 K	2.970 lm@ta25°C	-	21 W	-	-	-	300 mA
25 W	3000 K	3.570 lm@ta25°C	-	26,3 W	-	-	-	350 mA
30 W	3000 K	3.950 lm@ta25°C	-	30,3 W	-	-	-	400 mA
35 W	3000 K	4.280 lm@ta25°C	-	34,4 W	-	-	-	450 mA

*lumen referred to CRI70. Conversion factor for CRI80: 0,99

Conversion factor for lumen at 3000 K: 0,93; conversion factor for lumen at 5500 K: 1,00

CE IP66 CUT OFF IK08

