

PRODUCT DATA SHEET

ARTHUR

Product typology

High efficiency LED flood light (IP66) supplied with adjustable bracket

Material technical spec

Die-cast aluminum housing powder coated
 Diffuser in transparent tempered glass diffuser (IK08)
 A2 stainless steel screws

Color: black

Lighting technical spec

LED light source with adjustable round symmetrical light throw
 Chip LED NICHIA NF2L757
 Beam available in the 120°, 90°, 60°, 30°, 20°, 22°x100°, 70°x150° and 80°x150° versions
 Immediately ON at 100% of light flux

Wiring technical spec

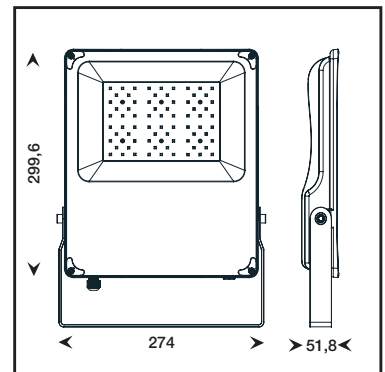
Driver SOSEN included (driver MEANWELL on request)
 Dimmable driver SOSEN 1-10V (optional for 200 W version)
 Quick electrical connection via pre-wired cable (1 m length and 3x1 m² area)
 Quick electrical connection to the dimming signal via pre-wired cable (1 m length and 2x1 m² area)

Installation and maintenance technical spec

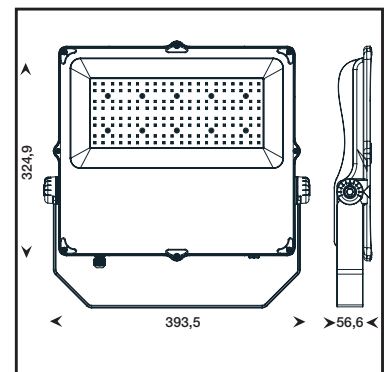
Flood LED light suitable for direct ceiling or wall installation thanks to the steel bracket (included)
 Dowels to fix the bracket are not included
 Adjustable inclination by setting the screws on the bracket sides
 No ordinary maintenance needed

Technical spec

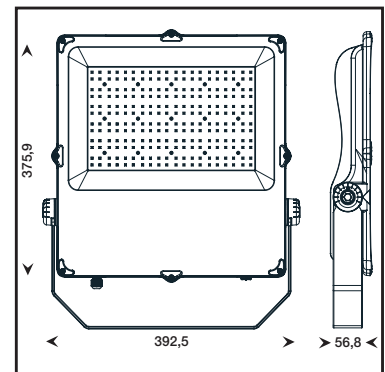
- CRI	>80	- Nominal voltage	100-277 V
- Step McAdam	3	- Rated Frequency	50/60 Hz
- Lifetime LED	70.000 h@25°C L80	- IP Protection	IP66
- Lifetime Driver	100.000 h@TC25°C	- Resistance to impacts	IK08
- RG	0	- Surgeon protection	DM6kVA CM12kVA
- Beam angle	120°, 90°, 60°, 30°, 20°, 22°x 100°, 70°x 150° and 80°x 150°		



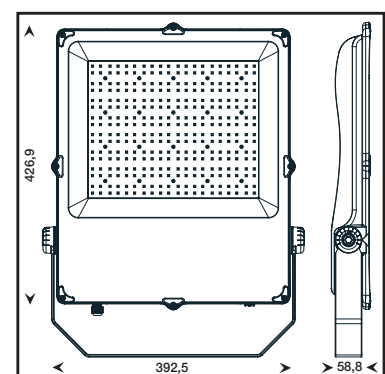
ARTHUR 20-40 W



ARTHUR 50-80 W



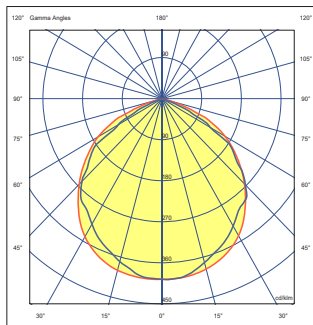
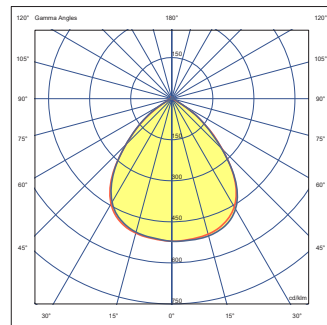
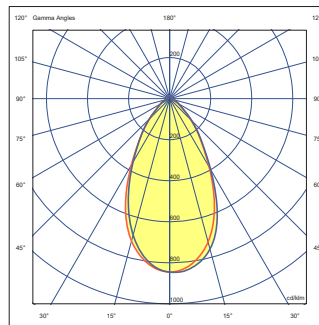
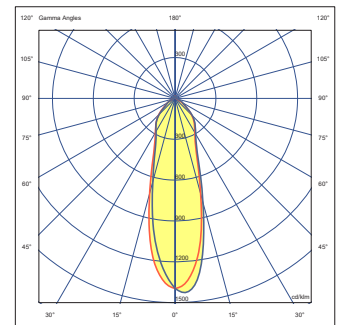
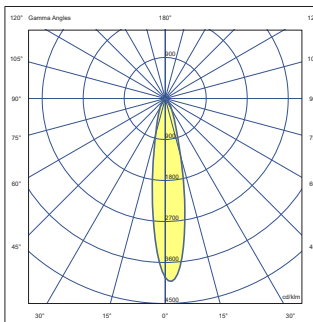
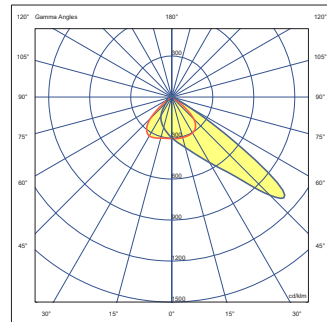
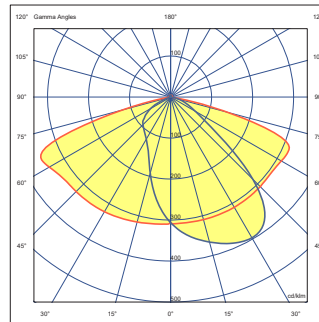
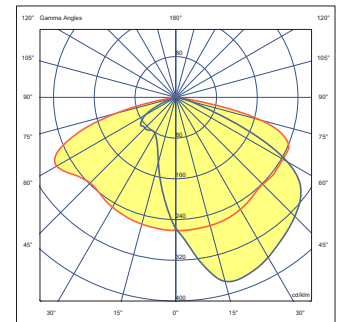
ARTHUR 90-120 W



ARTHUR 150-180 W



Weight/Dimension	ARTHUR 20-40 W	ARTHUR 90-120 W	ARTHUR 90-120 W	ARTHUR 150-180 W
Net weight	2,6 kg	4,7 kg	4,7 kg	5,7 kg
Gross weight	2,7 kg	5,1 kg	5,1 kg	6,1 kg
Luminaire dimension	278x364.3x51.8 mm	392.5x445.5x56.8 mm	392.5x445.5x56.8 mm	392.5x497.5x58.8 mm
Packaging dimension	345x286x60 mm	490x420x115 mm	490x420x115 mm	540x420x115 mm

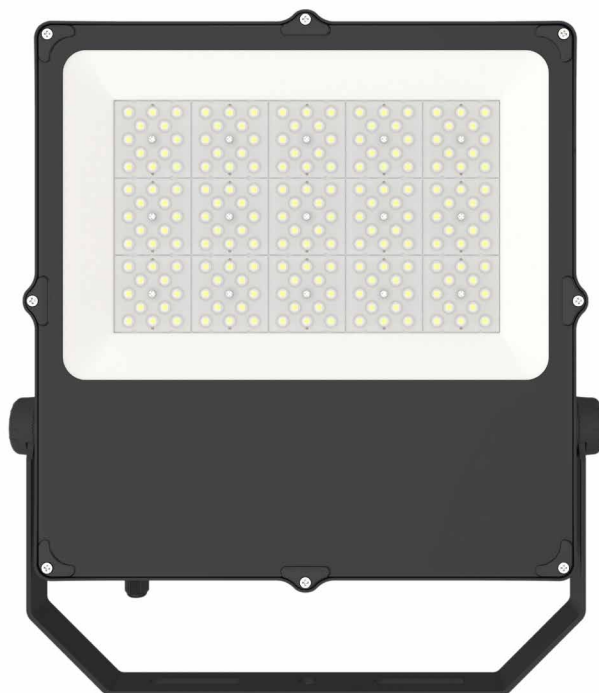
Beam angle

Optical 120°

Optical 90°

Optical 60°

Optical 30°

Optical 20°

Optical 22°x100°

Optical 70°x150°

Optical 80°x150°

Codice d'ordine del prodotto -
Esempio: BC.1.1.8.040.2.N (ARTHUR120° Classe 1 CRI>80 40W 4000k NERO)

BC	1	1	8	035	1	N
Prodotto Product	Ottica Optical	Classe Class	CRI CRI	Potenza Power	CCT CCT	Colore Color
BC Proiettori Arthur	1 120°	1 Classe 1	8 CRI >80	040 40W	1 3000K	N NERO - BLACK
	2 90°			080 80W	2 4000K	
	3 60°	120 120W		4 5000K		
	4 30°	180 180W				
	5 142x72°					
	6 151x81°					

Descrizione prodotto Product description	Potenza Nominale Nominal Power	Temperatura colore Color temperature	Flusso apparecchio Luminaire flux	Efficienza apparecchio Luminaire efficiency
ARTHUR 40W	40 W	3000 K	4.464 lm@ta25°C	111 lm/W
ARTHUR 40W	40 W	4000 K	4.800 lm@ta25°C	120 lm/W
ARTHUR 40W	40 W	5000 K	4.960 lm@ta25°C	124 lm/W
ARTHUR 80W	80 W	3000 K	8.928 lm@ta25°C	111 lm/W
ARTHUR 80W	80 W	4000 K	9.600 lm@ta25°C	120 lm/W
ARTHUR 80W	80 W	5000 K	9.900 lm@ta25°C	123 lm/W
ARTHUR 120W	120 W	3000 K	13.392 lm@ta25°C	111 lm/W
ARTHUR 120W	120 W	4000 K	14.400 lm@ta25°C	120 lm/W
ARTHUR 120W	120 W	5000 K	14.880 lm@ta25°C	123 lm/W
ARTHUR 180W	180 W	3000 K	20.088 lm@ta25°C	131 lm/W
ARTHUR 180W	180 W	4000 K	21.600 lm@ta25°C	180 lm/W
ARTHUR 180W	180 W	4000 K	22.320 lm@ta25°C	186 lm/W

CE IP66 IK08 CUT OFF



All delivered lumen calculated at 25°C

ZETAENNE SRL maintains a tolerance of +/-5% on flux, power and CRI measurements

ZETAENNE SRL reserves the right to modify products and data in order to upgrade performance and design features