

## PRODUCT DATA SHEET

### ATHENA

#### Product Typology

CUT-OFF high bay for industrial application

#### Material characteristics

Housing in die-cast aluminum powder coated  
 Diffuser in PC available in 90° and 110° versions  
 Steel INOX hook for suspension installation  
 Steel INOX A2 screws

**Color:** black

#### Lighting characteristics

LED lighting source for a round symmetrical light throw  
 Chip LED SMD 3030 NICHIA  
 Immediately ON at 100% of light flux

#### Wiring characteristics

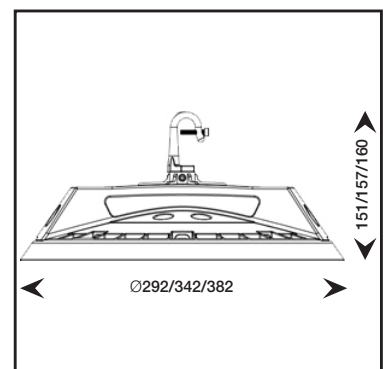
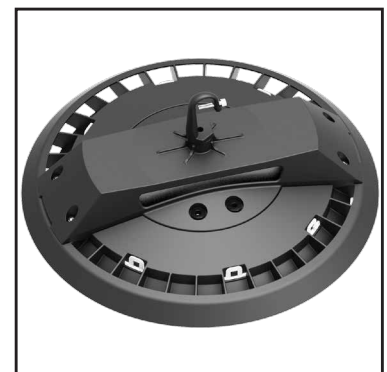
Input voltage 90-305 V and frequency 50/60 Hz  
 Driver SOSEN with surge protection 12 kVA  
 Optional dimmable driver 1-10 V

#### Installation and maintenance characteristics

Suspension fixing with steel INOX hook (supplied) or bracket (optional)  
 Power cable phase+neutral+ground SJTV 18AWG 300 mm length  
 Dimming cable SVT 18AWG 300 mm length (optional)  
 No ordinary maintenance needed

#### Specifics

- CRI	>80	- Rated frequency	50/60 Hz
- Step McAdam	3	- Power factor	>0,95
- Lifetime LED	>50.000 h@25°C	- Impact protection rating	IK10
- Lifetime Driver	100.000 h@Tc60°C	- IP protection	IP65
- RG	0	- Surgeon protection	DM 12 kVA
- Nominal voltage	90-305 V	- Insulation class	I
- Beam angle	90°/110°	- Working temperature	-40°C ~ +45°C

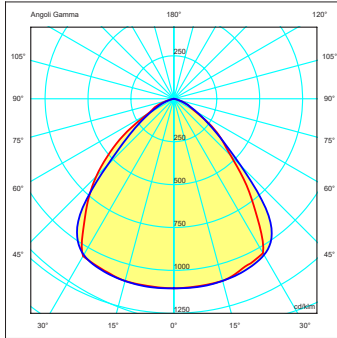
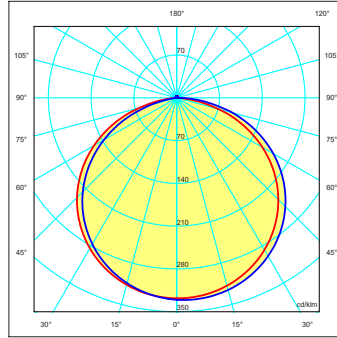


Weight/Dimension	ATHENA 100 W	ATHENA 150 W	ATHENA 200 W
Net weight	2,5 kg	3,1 kg	3,7 kg
Gross weight	3,0 kg	3,9 kg	4,5 kg
Luminaire dimension	Ø292xh151 mm	Ø342xh157 mm	Ø382xh160 mm
Packaging dimension	340x340x150 mm	390x390x155 mm	430x430x170 mm

#### Accessories

- Code HDA006 Bracket for wall or ceiling fixing (Athena 100 W)
- Code HDA007 Bracket for wall or ceiling fixing (Athena 150 W)

**CE IP65 IK10 CUT OFF**

**Available lenses**

**Beam angle 90°**

**Beam angle 110°**
**Codice d'ordine del prodotto -  
 Esempio: B20.1.8.100.2.N (ATHENA 110° CRI>80 100W 4000k NERO)**

B20		1	8	035	1	S
Prodotto Product	Optica Optical	CRI CRI	Potenza Power	CCT CCT	Colore Color	
B20 Proiettori ATHENA	1 90°	8 CRI >80	100 100W	2 4000K	N NERO - BLACK	
	2 110°		150 150W	5 5500K		
			200 200W			

Codice Code	Potenza Nominale Nominal Power	Lente Beam	Temperatura colore Color temperature	Flusso apparecchio Luminaire flux	Efficienza apparecchio Luminaire efficiency	Potenza apparecchio Luminaire consumption	Assorbimento LED LED consumption	Efficienza LED LED efficiency	Flusso LED LED flux
B20181002N	100 W	90°	4000 K	14.000 lm@ta25°C	140 lm/W	100 W	90 W	173 lm/W	15.570 lm@ta25°C
B20181004N	100 W	90°	5500 K	14.600 lm@ta25°C	146 lm/W	100 W	90 W	180 lm/W	16.200 lm@ta25°C
B20281002N	100 W	110°	4000 K	14.000 lm@ta25°C	140 lm/W	100 W	90 W	173 lm/W	15.570 lm@ta25°C
B20281004N	100 W	110°	5500 K	14.600 lm@ta25°C	146 lm/W	100 W	90 W	180 lm/W	16.200 lm@ta25°C
B20181502N	150 W	90°	4000 K	21.000 lm@ta25°C	141 lm/W	149 W	135 W	174 lm/W	23.490 lm@ta25°C
B20181504N	150 W	90°	5500 K	21.900 lm@ta25°C	147 lm/W	149 W	135 W	181 lm/W	24.435 lm@ta25°C
B20281502N	150 W	110°	4000 K	21.000 lm@ta25°C	141 lm/W	149 W	135 W	174 lm/W	23.490 lm@ta25°C
B20281504N	150 W	110°	5500 K	21.900 lm@ta25°C	147 lm/W	149 W	135 W	181 lm/W	24.435 lm@ta25°C
B20182002N	200 W	90°	4000 K	28.200 lm@ta25°C	141 lm/W	200 W	180 W	174 lm/W	31.320 lm@ta25°C
B20182004N	200 W	90°	5500 K	29.200 lm@ta25°C	146 lm/W	200 W	180 W	180 lm/W	32.400 lm@ta25°C
B20282002N	200 W	110°	4000 K	28.200 lm@ta25°C	141 lm/W	200 W	180 W	174 lm/W	31.320 lm@ta25°C
B20282004N	200 W	110°	5500 K	29.200 lm@ta25°C	146 lm/W	200 W	180 W	180 lm/W	32.400 lm@ta25°C