

## TECHNICAL DATA SHEET

### JUPITER

#### Product typology

CUT-OFF LED luminaire for street and urban areas illumination (IP66) for pole top head or bracket installation on Ø60 mm poles

#### Material technical spec

Die-cast aluminum housing (ADC12) powder coated RAL7016  
 Adjustable top pole-head in die-cast aluminum powder coated RAL7016  
 Special polyester powder coating to ensure protection against weathering, 10 years guaranteed  
 Flat tempered glass diffuser (4 mm thick)  
 Wiring plate in reinforced thermoplastic black painted  
 Silicone gasket  
 Stainless steel A2 screws

**Colore:** anthracite

#### Lighting technical spec

LED light source in a fixed position  
 High efficiency lens in PMMA material, available in the CP1, RT1, AS1, AS2 and AM1 versions  
 Immediately ON at 100% of the light flux (soft start at 0,5 seconds)  
 Chip Lumileds® Luxeon® 3030 2D  
 CUT-OFF luminaire conforming to all regional/local laws against light pollution

#### Wiring technical spec

Tool-free simplified maintenance to access the optics  
 Quick connection between driver and optical unit through polarized connector  
 Quick connection between driver and switch through polarized connector  
 Dimmable driver 1-10 V (standard configuration), PWM or virtual midnight reprogrammable  
 Driver with over-temperature protection  
 Luminaire equipped with osmotic valve for air and umidity leakage

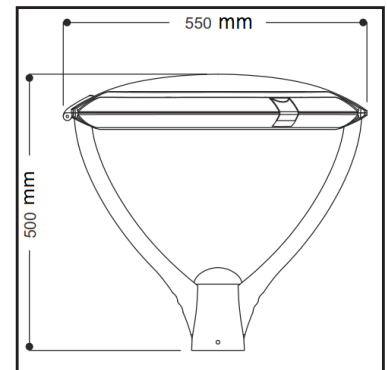
#### Installation and maintenance technical spec

Luminaire for direct installation on Ø 60 mm poles or bracket  
 M20 cable gland suitable for Ø 6-12 mm cable  
 No ordinary maintenance needed  
 Fast tool-free extra-maintenance and possibility to replace the optic group and/or the wiring  
 No voltage when opening the luminaire through disconnecting switch  
 Adjustable top pole-head in vertical/horizontal position with regulation of ±10° (with 5° step)

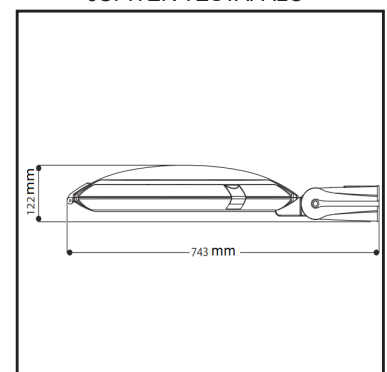
#### Technical spec

- CRI	>70	- Nominal power	220-240 V
- Step McAdam	3	- Rated frequency	50/60 Hz
- Luminaire lifetime	L80/B10 100.000 h@25°C	- IP protection	IP66
- RG	1	- Resistance to impacts	IK08
- Power factor	>0,975	- Surgeon protection	DM6kVA
- Insulation class	I, II		CM10kVA

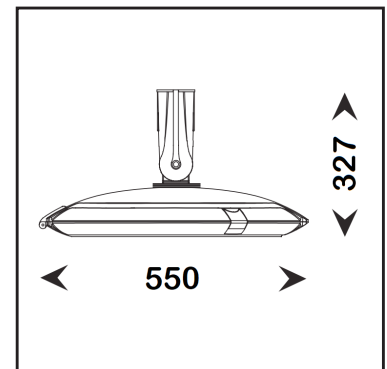
Weight/Dimension	ALYA 25-55 W	ALYA 60-110 W
Net weight	4 kg	7 kg
Gross weight	5 kg	8,2 kg
Luminaire dimension	465x245x200 mm (pole top head configuration)	635x320x210 mm (pole top head configuration)
	572x245x100 mm (bracket configuration)	717x320x130 mm (bracket configuration)
Packaging dimension	610x290xh170 mm	750x380xh160 mm



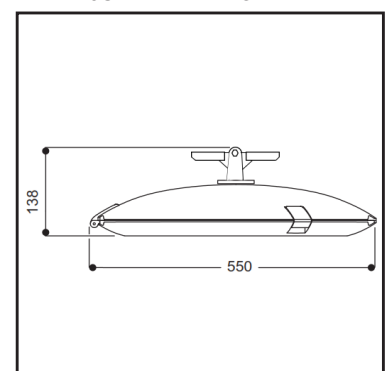
JUPITER TESTAPALO



JUPITER FRUSTA



JUPITER PASTORALE



JUPITER TESATA



Potenza Nominale Nominal Power	Temperatura colore Color temperature	Flusso apparecchio* Luminaire flux	Efficienza apparecchio Luminaire efficiency	Potenza apparecchio Luminaire consumption	Assorbimento scheda LED PCB LED consumption	Efficienza scheda LED PCB LED efficiency	Flusso scheda LED* PCB LED flux
25 W	4000 K	3.295 lm@ta25°C	136 lm/W	24,2 W	22,5 W	172 lm/W	3.878 lm@ta25°C
30 W	4000 K	3.940 lm@ta25°C	135 lm/W	29,2 W	27,0 W	172 lm/W	4.637 lm@ta25°C
35 W	4000 K	4.540 lm@ta25°C	133 lm/W	34,2 W	31,7 W	169 lm/W	5.344 lm@ta25°C
40 W	4000 K	5.160 lm@ta25°C	131 lm/W	44,4 W	36,0 W	169 lm/W	6.073 lm@ta25°C
45 W	4000 K	5.550 lm@ta25°C	125 lm/W	49,4 W	40,3 W	162 lm/W	6.532 lm@ta25°C
50 W	4000 K	6.126 lm@ta25°C	124 lm/W	53,8 W	45,3 W	159 lm/W	7.210 lm@ta25°C
55 W	4000 K	6.595 lm@ta25°C	123 lm/W	59,6 W	49,7 W	156 lm/W	7.762 lm@ta25°C

\*lumen referred to CRI70. Conversion factor for CRI80: 0,99

Conversion factor for lumen at 3000 K: 0,93; conversion factor for lumen at 5500 K: 1,00

**CE IP66 CUT OFF IK08**



All delivered lumen calculated at 25°C

ZETAENNE SRL maintains a tolerance of +/-5% on flux, power and CRI measurements  
ZETAENNE SRL reserves the right to modify products and data in order to upgrade performance and design features