

TECHNICAL DATA SHEET

SATURN

Product typology

CUT-OFF LED luminaire for street and urban areas illumination (IP66) for pole top head or bracket installation on Ø60 mm poles

Material technical spec

Die-cast aluminum housing (ADC12) powder coated RAL7016
 Adjustable top pole-head in die-cast aluminum powder coated RAL7016
 Special polyester powder coating to ensure protection against weathering, 10 years guaranteed
 Flat tempered glass diffuser (4 mm thick)
 Wiring plate in reinforced thermoplastic black painted
 Silicone gasket
 Stainless steel A2 screws

Colore: anthracite

Lighting technical spec

LED light source in a fixed position
 High efficiency lens in PMMA material, available in the CP1, RT1, AS1, AS2, AM1 and PP1 versions
 Immediately ON at 100% of the light flux (soft start at 0,5 seconds)
 Chip Lumileds® Luxeon® 3030 2D
 CUT-OFF luminaire conforming to all regional/local laws against light pollution

Wiring technical spec

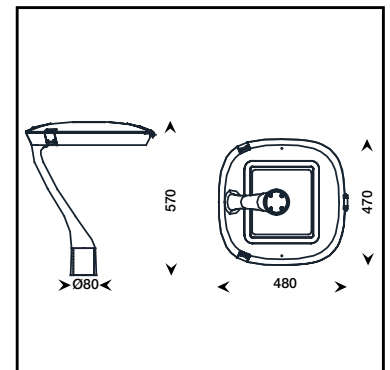
Tool-free simplified maintenance to access the optics
 Quick connection between driver and optical unit through polarized connector
 Quick connection between driver and switch through polarized connector
 Dimmable driver 1-10 V (standard configuration), PWM or virtual midnight reprogrammable
 Driver with over-temperature protection
 Luminaire equipped with osmotic valve for air and umidity leakage

Installation and maintenance technical spec

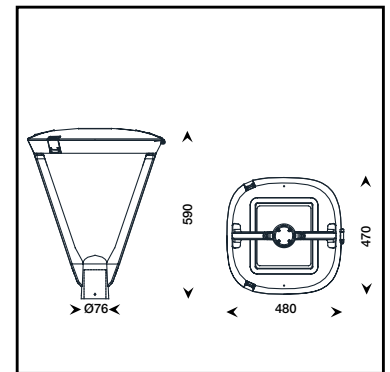
Luminaire for direct installation on Ø 60 mm poles or bracket
 M20 cable gland suitable for Ø 6-12 mm cable
 No ordinary maintenance needed
 Fast tool-free extra-maintenance and possibility to replace the optic group and/or the wiring
 No voltage when opening the luminaire through disconnecting switch
 Adjustable top pole-head in vertical/horizontal position with regulation of ±10° (with 5° step)

Technical spec

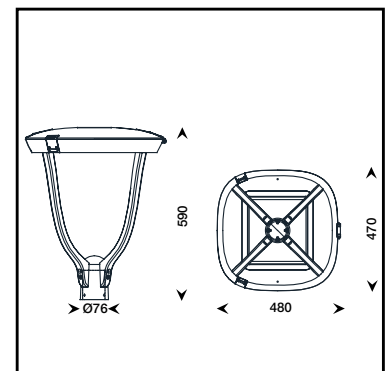
- CRI	>70	- Nominal power	220-240 V
- Step McAdam	3	- Rated frequency	50/60 Hz
- Luminaire lifetime	70.000h	- IP protection	IP66
- RG	1	- Resistance to impacts	IK08
- Power factor	>0,975	- Surgeon protection	DM6kVA
- Insulation class	I, II		CM10kVA



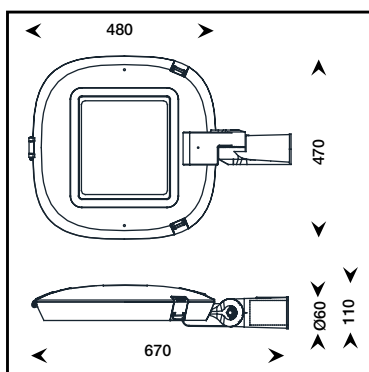
SATURN



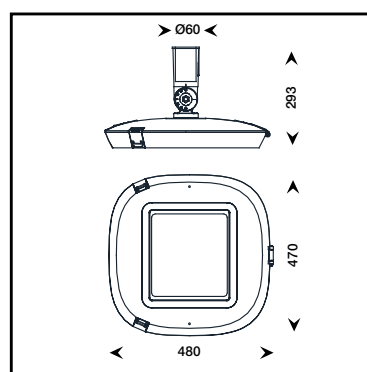
SATURN II



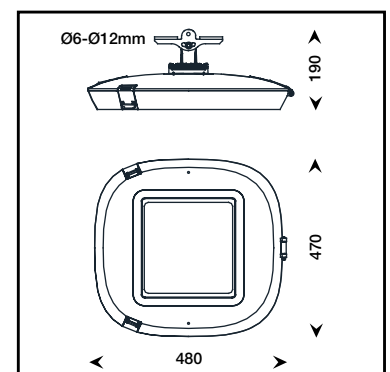
SATURN IV



SATURN FRUSTA



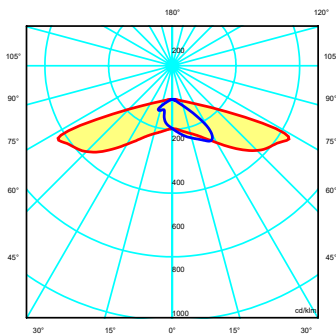
SATURN PASTORALE



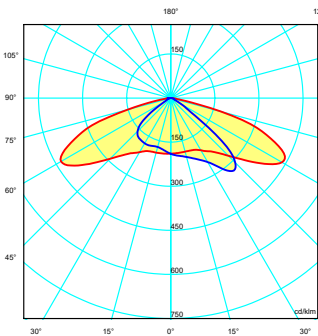
SATURN TESATA

Weight/Dimension	SATURN	SATURN II	SATURN IV	SATURN PASTORALE	SATURN TESATA	SATURN FRUSTA
Net weight	7.9 kg	6.3 kg	7.9 kg	6.3 kg	6.3 kg	- kg
Gross weight	9.1 kg	7.5 kg	9.1 kg	7.5 kg	7.5 kg	- kg
Luminaire dimension	570x480x470 mm	590x480x470 mm	590x480x470	480x470x190 mm	670x470x110 mm	480x470x293 mm
Packaging dimension	655x590x165 mm	655x590x165 mm	655x590x165 mm	655x590x165 mm	655x590x165 mm	655x590x165 mm

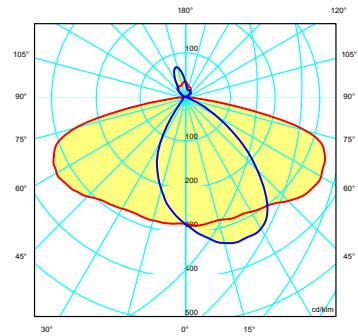
Lenses



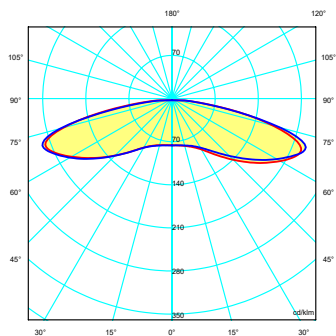
CP1 - Cycle and pedestrian



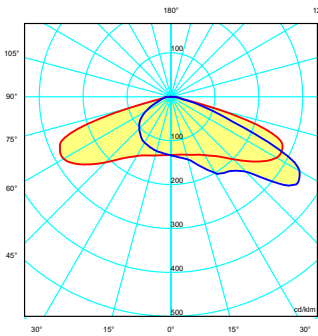
AS1 - Type II short



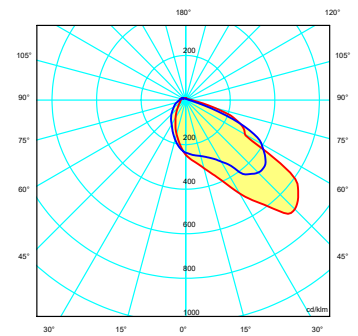
AS2 - Type II short



RT1 - Concentric



AM1 - Type medium



PP1 - Crosswalk



Codice d'ordine del prodotto						
Esempio: A2.1.2.7.035.1.S (JUPITER TESTAPALO CP1 Classe 2 CRI>70 35W 3000k Antracite)						
AB	1	2	7	035	1	S
Prodotto Product	Ottica Optical	Classe Class	CRI CRI	Potenza Power	CCT CCT	Colore Color
AB Saturn	1 CP1	1 Classe 1	7 CRI >70	025 25W	1 3000K	S Antracite
AC Saturn II	2 RT1	2 Classe 2		030 30W	2 4000K	
AD Saturn IV	3 AS1			035 35W		
AE Saturn Pastorale	4 AS2	040 40W				
	5 AM1	045 45W				
AF Saturn Tesata		050 50W				
AG Saturn Frusta		055 55W				

Potenza Nominale Nominal Power	Temperatura colore Color temperature	Flusso apparecchio* Luminaire flux	Efficienza apparecchio Luminaire efficiency	Potenza apparecchio Luminaire consumption	Assorbimento scheda LED PCB LED consumption	Efficienza scheda LED PCB LED efficiency	Flusso scheda LED* PCB LED flux
25 W	4000 K	3.295 lm@ta25°C	136 lm/W	24,2 W	22,5 W	172 lm/W	3.878 lm@ta25°C
30 W	4000 K	3.940 lm@ta25°C	135 lm/W	29,2 W	27,0 W	172 lm/W	4.637 lm@ta25°C
35 W	4000 K	4.540 lm@ta25°C	133 lm/W	34,2 W	31,7 W	169 lm/W	5.344 lm@ta25°C
40 W	4000 K	5.160 lm@ta25°C	131 lm/W	44,4 W	36,0 W	169 lm/W	6.073 lm@ta25°C
45 W	4000 K	5.550 lm@ta25°C	125 lm/W	49,4 W	40,3 W	162 lm/W	6.532 lm@ta25°C
50 W	4000 K	6.126 lm@ta25°C	124 lm/W	53,8 W	45,3 W	159 lm/W	7.210 lm@ta25°C
55 W	4000 K	6.595 lm@ta25°C	123 lm/W	59,6 W	49,7 W	156 lm/W	7.762 lm@ta25°C

*lumen referred to CRI70. Conversion factor for CRI80: 0,99

Conversion factor for lumen at 3000 K: 0,93; conversion factor for lumen at 5500 K: 1,00

CE IP66 CUT OFF IK08

