

### PRODUCT DATA SHEET

## SHARK

#### Product typology

High efficiency LED flood light (IP66) supplied with adjustable bracket

#### Material technical spec

Die-cast aluminum housing powder coated  
 Diffuser in transparent tempered glass diffuser (IK08)  
 A2 stainless steel screws

**Color:** black

#### Lighting technical spec

LED light source with adjustable round symmetrical light throw  
 Chip LED NICHIA NF2L757  
 Beam available in the 36°, 24°, 15° and 10° versions  
 Immediately ON at 100% of light flux

#### Wiring technical spec

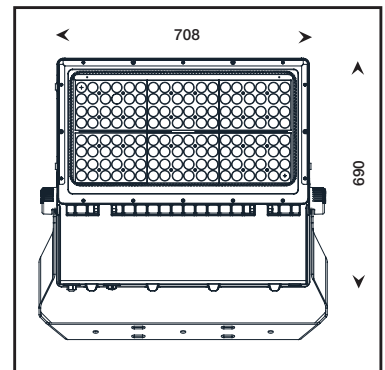
Driver SOSEN included (driver MEANWELL on request)  
 Dimmable driver SOSEN 1-10V (optional for 200 W version)  
 Quick electrical connection via pre-wired cable (1 m length and 3x1 m<sup>2</sup> area)  
 Quick electrical connection to the dimming signal via pre-wired cable (1 m length and 2x1 m<sup>2</sup> area)

#### Installation and maintenance technical spec

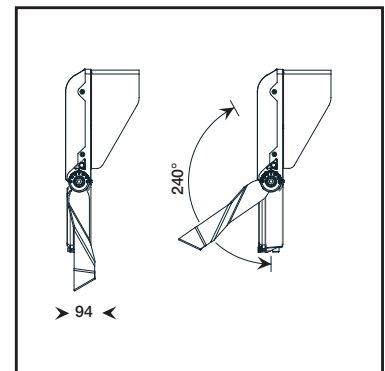
Flood LED light suitable for direct ceiling or wall installation thanks to the steel bracket (included)  
 Dowels to fix the bracket are not included  
 Adjustable inclination by setting the screws on the bracket sides  
 No ordinary maintenance needed

#### Technical spec

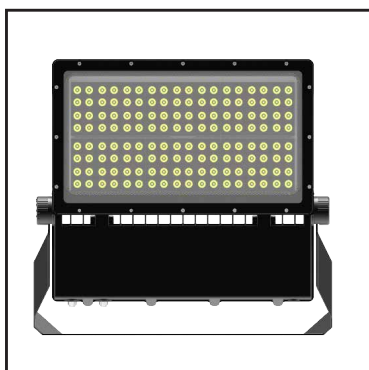
- CRI	>80	- Nominal voltage	100-277 V
- Step McAdam	3	- Rated Frequency	50/60 Hz
- Lifetime LED	70.000 h@25°C L80	- IP Protection	IP66
- Lifetime Driver	100.000 h@TC25°C	- Resistance to impacts	IK08
- RG	0	- Surgeon protection	DM6kVA CM12kVA
- Beam angle	36°, 24°, 15° and 10°		

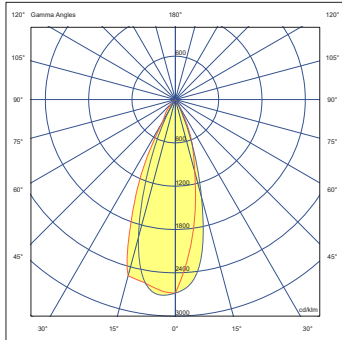
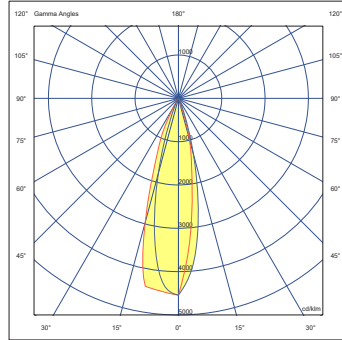
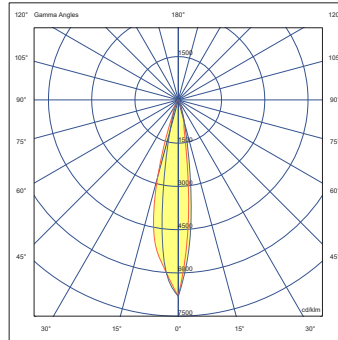
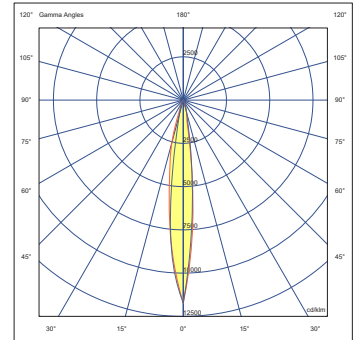


SHARK 350-600 W



Weight/Dimension	SHARK 350 W	SHARK 500 W	SHARK 600 W
Net weight	22,1 kg	23 kg	23,5 kg
Gross weight	24,7 kg	25,6 kg	25,6 kg
Luminaire dimension	690x708x94 mm	690x708x94 mm	690x708x94 mm
Packaging dimension	800x800x150 mm	800x800x150 mm	800x800x150 mm



**Beam angle**

**Lens 36°**

**Lens 24°**

**Lens 15°**

**Lens 10°**
**Codice d'ordine del prodotto - Product Code**  
**Esempio: BB.1.1.8.350.2.N (SHARK 36° Classe 1 CRI>80 350W 4000k NERO)**

BB	1	1	8	350	1	N
Prodotto Product	Ottica Optical	Classe Class	CRI CRI	Potenza Power	CCT CCT	Colore Color
<b>BB</b> Proiettori Shark	<b>1</b> 36°	<b>1</b> Classe 1	<b>8</b> CRI >80	<b>350</b> 350W	<b>1</b> 2700K	<b>N</b> NERO - BLACK
	<b>2</b> 24°	<b>2</b> Classe 2		<b>500</b> 500W	<b>2</b> 4000K	
	<b>3</b> 15°			<b>600</b> 600W	<b>4</b> 5000K	
	<b>4</b> 10°				<b>3</b> 6000K	

Descrizione prodotto Product description	Potenza Nominale Nominal Power	Temperatura colore Color temperature	Flusso apparecchio Luminaire flux	Efficienza apparecchio Luminaire efficiency
SHARK 350W 4000K	350 W	4000 K	45.175 lm@ta25°C	129 lm/W
SHARK 350W 5500K	350 W	5500 K	47.058 lm@ta25°C	134 lm/W
SHARK 500W 4000K	500 W	4000 K	59.563 lm@ta25°C	119 lm/W
SHARK 500W 5500K	500 W	5500 K	62.045 lm@ta25°C	124 lm/W
SHARK 600W 4000K	600 W	4000 K	69.172 lm@ta25°C	115 lm/W
SHARK 600W 5500K	600 W	5500 K	72.054 lm@ta25°C	120 lm/W

**CE IP66 IK08 CUT OFF**