

## PRODUCT DATA SHEET

### MIZAR ROUND

#### Product typology

LED downlight for false ceiling installation by using fixing clips. Indoor use (IP20)

#### Material technical spec

Die-cast aluminum housing, white coated  
 Diffuser in opal PC

Color: white

#### Lighting technical spec

LED light source in a fixed position for a round symmetrical light throw  
 Immediately ON at 100% of light flux

#### Wiring technical spec

External driver to be connected to the LED circuit via quick- connector (included)

#### Installation and maintenance technical spec

Recessed installation in false ceiling by using fixing clips  
 The driver has to be positioned on the false ceiling next to the downlight  
 No ordinary maintenance required

Hole dimension in the false ceiling:

- Ø160 mm - 12 W
- Ø178 mm - 15 W
- Ø210 mm - 18 W
- Ø242 mm - 24 W

#### Technical spec

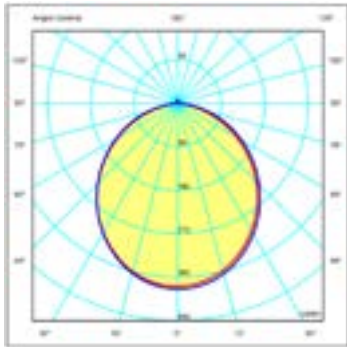
- CRI	>80	- Nominal voltage	220-240 V
- Step McAdam	3	- Rated frequency	50/60 Hz
- Lifetime LED	25.000 h@25°C	- IP protection	IP20
- RG	0	- Power factor	>0,90
- Beam angle	120°		



Weight/Dimension	MIZAR ROUND 12 W	MIZAR ROUND 15 W	MIZAR ROUND 18 W	MIZAR ROUND 24 W
Net weight	300 g	410 g	530 g	670 g
Gross weight	420 g	520 g	680 g	850 g
Luminaire dimension	Ø178xh21 mm	Ø190xh21 mm	Ø225xh21 mm	Ø254xh21 mm
Single packaging	225x210xh30 mm	250x220xh30 mm	300x250xh35 mm	350x270xh40 mm
Multiple packaging (30 pcs)	480x265xh440 mm (14 kg)	-	-	-
Multiple packaging (20 pcs)	-	520x270xh250 mm (12 kg)	630x320xh275 mm (15 kg)	-
Multiple packaging (10 pcs)	-	-	-	430x365xh285 mm (10 kg)

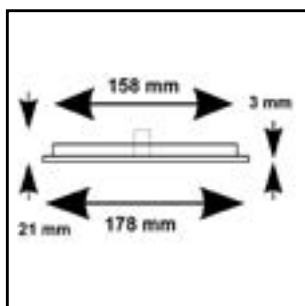


## Photometry

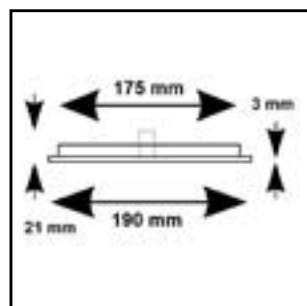


Beam angle 120°

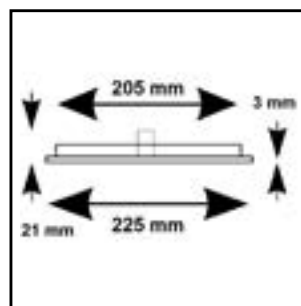
Codice Code	Descrizione prodotto Product description	Potenza Nominale Nominal Power	Temperatura colore Color temperature	Flusso apparecchio Luminaire flux
3019123	MIZAR ROUND 12W 3000K	12 W	3000 K	960 lm@ta25°C
3019124	MIZAR ROUND 12W 4000K	12 W	4000 K	1.000 lm@ta25°C
3019153	MIZAR ROUND 15W 3000K	15 W	3000 K	1.200 lm@ta25°C
3019154	MIZAR ROUND 15W 4000K	15 W	4000 K	1.275 lm@ta25°C
3019183	MIZAR ROUND 18W 3000K	18 W	3000 K	1.440 lm@ta25°C
3019184	MIZAR ROUND 18W 4000K	18 W <td 4000 K	1.530 lm@ta25°C	
3019243	MIZAR ROUND 24W 3000K	24 W	3000 K	1.920 lm@ta25°C
3019244	MIZAR ROUND 24W 4000K	24 W	4000 K	2.040 lm@ta25°C



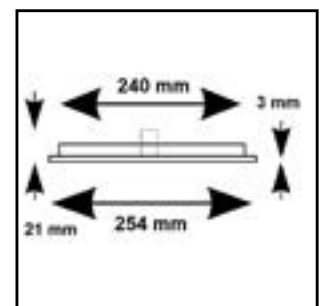
MIZAR ROUND 12W



MIZAR ROUND 15W



MIZAR ROUND 18W



MIZAR ROUND 24W