

PRODUCT DATA SHEET

PICTOR

Product typology

LED recessed luminaire for indoor use (IP20) for false ceiling installation by using frames to be ordered separately

Material technical spec

Die-cast aluminum housing, black powder coated
 Diffuser in acrylic material

Color: black

Lighting technical spec

LED light source in a fixed position for a round symmetrical light throw
 Chip LUMILEDS 1002 COB
 Beam angle 38°
 Immediately ON at 100% of light flux

Wiring technical spec

External driver TUV certified (included)
 Dimmable driver 1-10 V and dimmable DALI driver available on order
 Dimmable TRIAC version available

Installation and maintenance technical spec

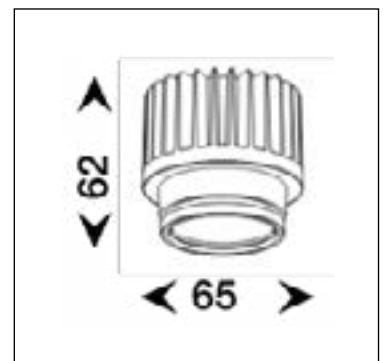
Recessed installation in false ceiling by using frames available in different versions (to be ordered separately)

No ordinary maintenance required

Circular hole dimension in the false ceiling:
 square 90x90 mm with frame C10100001B
 circular Ø 90 mm with frame C10100002B
 circular Ø 75 mm with frame C10100003B
 circular Ø 75 mm with frame C10100004B

Technical spec

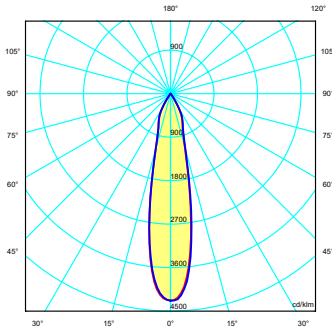
- CRI	>90	- Nominal voltage	220-240 V
- Step McAdam	3	- Rated frequency	50/60 Hz
- Lifetime LED	35.000 h@25°C	- IP protection	IP20
- RG	1	- Power factor	>0,90
- Beam angle	38°		



Weight/Dimension	PICTOR 10 W	PICTOR 15 W
Net weight	240 g	240 g
Gross weight	270 g	270 g
Luminaire dimension	Ø65xh62 mm	Ø65xh62 mm
Single packaging dimension	110x100x90 mm	110x100x90 mm
Multiple packaging (48 pcs)	460x400x290 mm (14,5 kg)	460x400x290 mm (14,5 kg)



Photometry



Beam angle 38°

Codice Code	Descrizione prodotto Product description	Potenza Nominale Nominal Power	Temperatura colore Color temperature	Flusso apparecchio Luminaire flux
C10190101N	PICTOR 10W 3000K	10 W	3000 K	840 lm@ta25°C
C10190102N	PICTOR 10W 4000K	10 W	4000 K	900 lm@ta25°C
C10190151N	PICTOR 15W 3000K	15 W	3000 K	1.200 lm@ta25°C
C10190152N	PICTOR 15W 4000K	15 W	4000 K	1.260 lm@ta25°C
C10290101N	PICTOR 10W 3000K dimm. TRIAC	10W	3000K	840 lm@ta25°C
C10290102N	PICTOR 10W 4000K dimm. TRIAC	10W	4000K	900 lm@ta25°C
C10290151N	PICTOR 15W 3000K dimm. TRIAC	15W	3000K	1.200 lm@ta25°C
C10290152N	PICTOR 15W 4000K dimm. TRIAC	15W	4000K	1.260 lm@ta25°C

PICTOR ACCESSORIES

Frame technical spec

Frame for Pictor false ceiling installation (to be ordered separately)
 Die-cast aluminum structure white coated
 Frame with fixing clips for false ceiling installation
 Adjustable beam angle
 Stainless steel A2 screws



Square frame UGR<19
C10100001B



Circular frame
C10100003B



Circular frame UGR<19
C10100002B



Circular frame 2 axis
C10100004B

Code	Product description	Net weight	Single packaging	Multiple packaging (100 pcs)	Luminaire with frame
C10100001B	Square frame UGR<19	200 g	105x105x65 mm (230 g)	540x540x280 mm (25 kg)	100x100xh96 mm
C10100002B	Circular frame UGR<19	100 g	105x105x70 mm (130 g)	550x550x280 mm (15 kg)	Ø98xh112 mm
C10100003B	Circular frame	65 g	100x100x50 mm (95 g)	520x520x220 mm (11 kg)	Ø85xh77 mm
C10100004B	Circular frame 2 axis	70 g	100x100x50 mm (100 g)	520x520x220 mm (12 kg)	Ø85xh97 mm