

# SUN2000-(100KTL, 110KTL, 125KTL) Series Quick Guide

Issue: 11  
Part Number: 31500DYQ  
Date: 2021-05-07

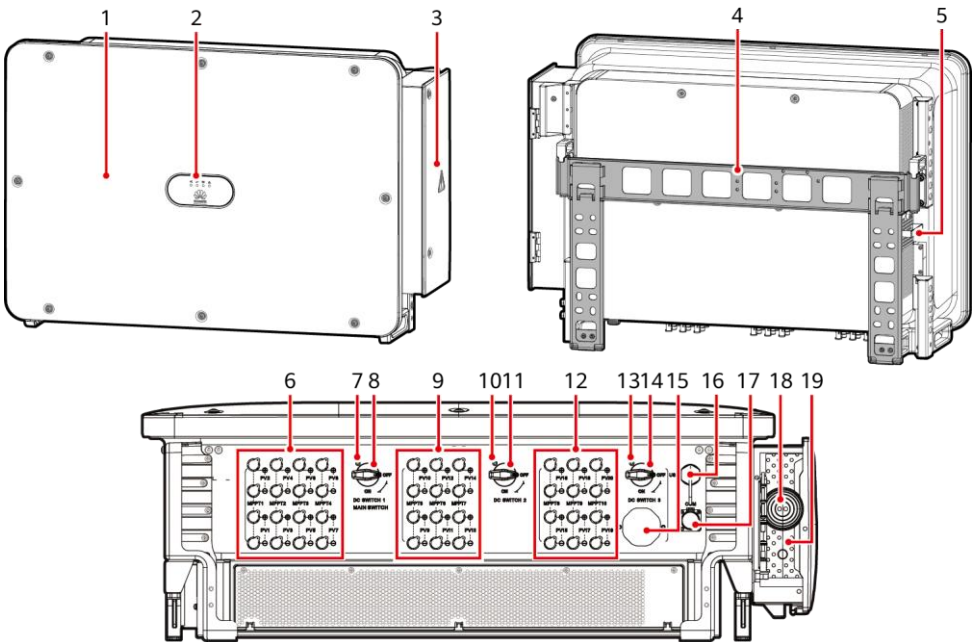
HUAWEI TECHNOLOGIES CO., LTD.



## NOTICE

- The information in this document is subject to change without notice. Every effort has been made in the preparation of this document to ensure accuracy of the contents, but all statements, information, and recommendations in this document do not constitute a warranty of any kind, express or implied.
- Only certified electricians are allowed to operate the device. Operation personnel should understand the composition and working principles of the grid-tied PV power system and local regulations.
- Before installing the device, read the user manual carefully to get familiar with product information and safety precautions. Huawei shall not be liable for any consequences caused by the violation of the storage, transportation, installation, and operation regulations specified in this document and the user manual.
- Use insulated tools when installing the device. For personal safety, wear proper personal protective equipment (PPE).

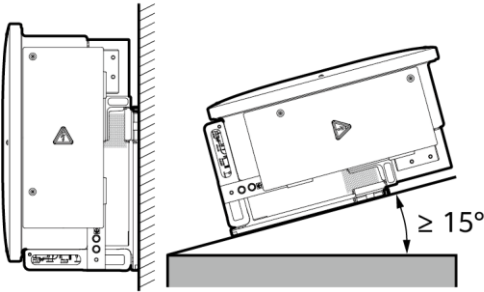
## 1 Overview



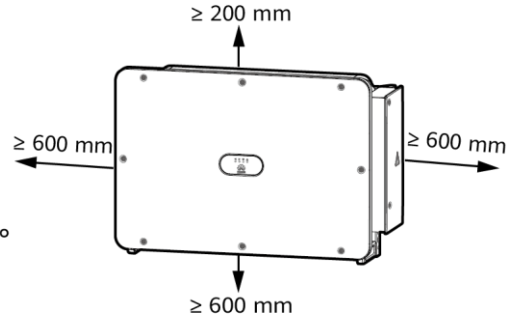
- (1) Panel  
(2) LED indicators  
(3) Maintenance compartment door  
(4) Mounting bracket  
(5) External fan tray
- (6) DC input terminal group 1 (PV1–PV8, controlled by DC SWITCH 1)  
(7) (Optional) Screw hole for DC switch 1  
(8) DC switch 1 (DC SWITCH 1)  
(9) DC input terminal group 2 (PV9–PV14, controlled by DC SWITCH 2)  
(10) (Optional) Screw hole for DC switch 2  
(11) DC switch 2 (DC SWITCH 2)  
(12) DC input terminal group 3 (PV15–PV20, controlled by DC SWITCH 3)  
(13) (Optional) Screw hole for DC switch 3  
(14) DC switch 3 (DC SWITCH 3)  
(15) Ventilation valve  
(16) USB port (USB)  
(17) Communications port (COM)  
(18) Hole for the AC output power cable  
(19) Hole for the tracking system power cable

## 2 Installation Requirements

### Angle



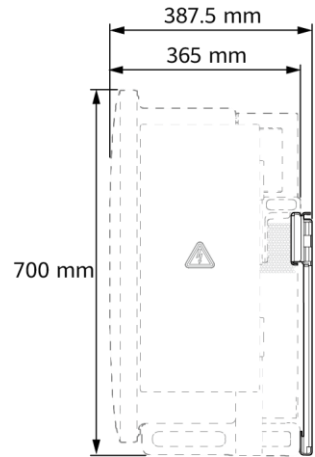
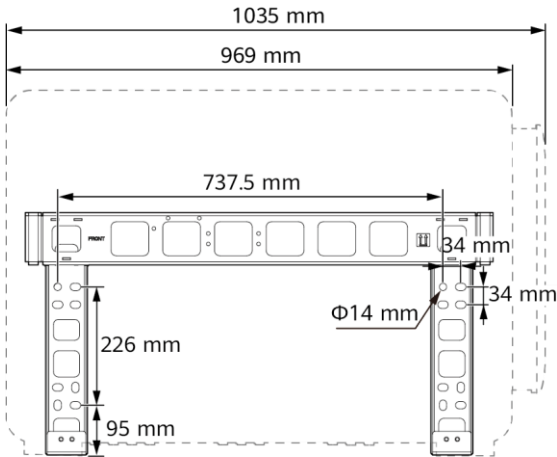
### Space



IS12W00009

Recommended:  $600 \text{ mm} \leq \text{Bottom space} \leq 730 \text{ mm}$

### Dimensions

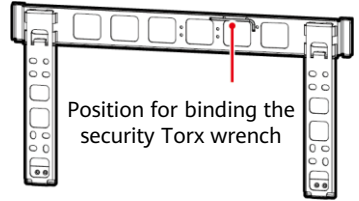


IS12W00011

### 3 Installing a Solar Inverter

#### NOTE

- This quick guide describes how to install a solar inverter on a support. For details about wall-mounted installation, see the user manual.
- The M12x40 bolt assemblies are delivered with the solar inverter. If the bolt assembly length does not meet the installation requirements, prepare M12 bolt assemblies by yourself and use them together with the delivered M12 nuts.
- Before installing the mounting bracket, remove the security Torx wrench and set it aside.

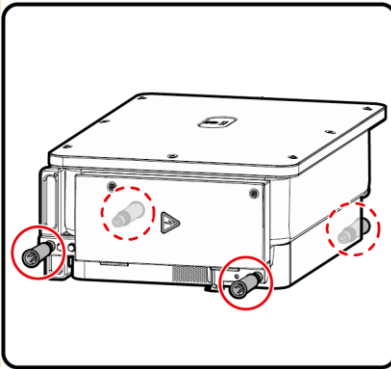


IS12W00012

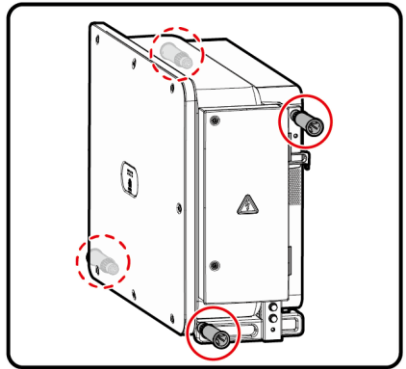
#### NOTICE

Use the handles to facilitate installation. Handles are optional and delivered separately. Ensure that the handles are securely installed. After the installation is complete, remove the handles and set them aside.

#### Installation Positions of Handles During Transportation



#### Installation Positions of Handles During Installation

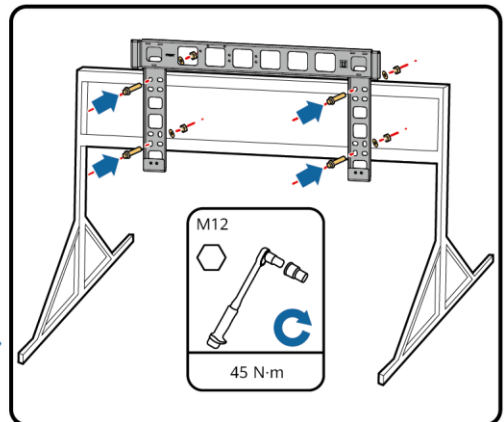
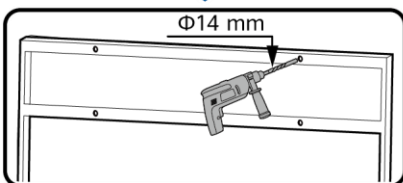
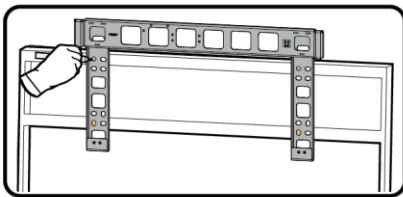


IS12W00013

1. Install the mounting bracket.

#### NOTE

It is recommended that anti-rust measures be taken on the positions for drilling holes.

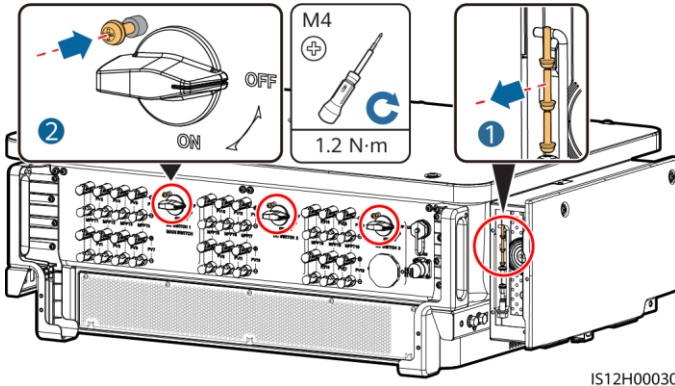


IS12H0001

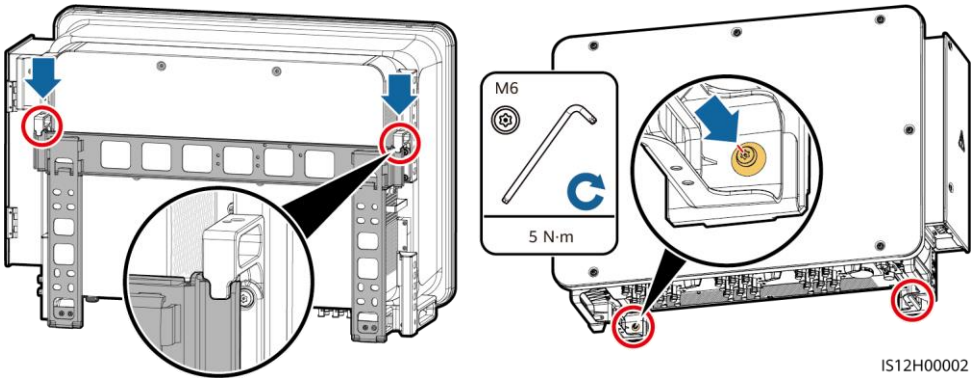
2. (Optional) Install screws for locking DC switches.

 NOTE

- According to Australian standards, the screws for DC switches are delivered with solar inverters. The screws are used to secure DC SWITCH 1, DC SWITCH 2, and DC SWITCH 3 to prevent them from being turned on by mistake.
- For the model used in Australia, perform this step to meet the local standards.



3. Install the solar inverter onto the mounting bracket. 4. Tighten security Torx screws.



## 4 Connecting Cables

### NOTICE

- Connect cables in accordance with the local installation laws and regulations.
- To prevent poor cable connection due to overstress, leave enough slack before connecting the cables to the appropriate ports.

### 4.1 Preparations

#### NOTE

- $S$  and  $S_p$  are the conductor cross-sectional areas of AC power cables and PE cables respectively.
- The cable diameter must comply with local cable standards.
- The factors that affect cable selection include the rated current, cable type, routing mode, ambient temperature, and maximum expected line loss.

### 3-pin Model (125KTL) Cable Description

No.	Cable	Type	Conductor Cross-Sectional Area	Outer Diameter
1	PE cable	Outdoor cable and M10 OT/DT terminals	$S_p \geq S/2$	N/A
2	Tracking system power cable	Three-core outdoor copper cable with dual-layer protection	10 mm <sup>2</sup>	15–18 mm
3	AC output power cable (multi-core)	<ul style="list-style-type: none"> <li>• If you connect a ground cable to the ground point on the chassis shell, you are advised to use a three-core (L1, L2, and L3) outdoor cable and M12 OT/DT terminals (L1, L2, and L3).</li> <li>• If you connect a ground cable to the ground point in the maintenance compartment, you do not need to prepare a PE cable but are advised to use a four-core (L1, L2, L3, and PE) outdoor cable, M12 OT/DT terminals (L1, L2, and L3), and M10 OT/DT terminals (PE).</li> </ul>	<ul style="list-style-type: none"> <li>• Copper cable                             <ul style="list-style-type: none"> <li>– <math>S</math>: 70–240 mm<sup>2</sup></li> <li>– <math>S_p \geq S/2</math></li> </ul> </li> <li>• Aluminum alloy cable or copper-clad aluminum cable:                             <ul style="list-style-type: none"> <li>– <math>S</math>: 95–240 mm<sup>2</sup></li> <li>– <math>S_p \geq S/2</math></li> </ul> </li> </ul>	24–66 mm
	AC output power cable (single-core)	You are advised to use a single-core outdoor cable and M12 OT/DT terminals.	<ul style="list-style-type: none"> <li>• Copper cable                             <ul style="list-style-type: none"> <li>– <math>S</math>: 70–240 mm<sup>2</sup></li> </ul> </li> <li>• Aluminum alloy cable or copper-clad aluminum cable:                             <ul style="list-style-type: none"> <li>– <math>S</math>: 95–240 mm<sup>2</sup></li> </ul> </li> </ul>	14–32 mm
4	DC input power cable	PV cable that meets the 1100 V standard	4–6 mm <sup>2</sup>	5.5–9 mm
5	RS485 communications cable	Outdoor shielded twisted pair that meets the local standard	0.25–1 mm <sup>2</sup>	<ul style="list-style-type: none"> <li>• One or two communications cables: 4–11 mm</li> <li>• Three communications cables: 4–8 mm</li> </ul>

- The value of  $S_p$  is valid only if the conductors of the PE cable and AC power cable use the same material. If the materials are different, ensure that the conductor of the PE cable with a proper cross-sectional area produces a conductance equivalent to that of the cable specified in the table.
- The specifications of the PE cable are subject to this table or calculated according to IEC 60364-5-54.

## 4-pin Model (100KTL/110KTL) Cable Description

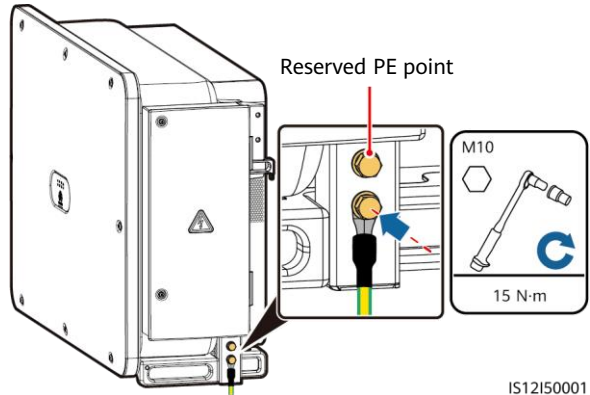
No.	Cable	Type	Conductor Cross-Sectional Area	Outer Diameter
1	PE cable	Outdoor cable and M10 OT/DT terminals	$S_p \geq S/2$	N/A
2	Tracking system power cable	Three-core outdoor copper cable with dual-layer protection	10 mm <sup>2</sup>	15–18 mm
3	AC output power cable (multi-core)	<ul style="list-style-type: none"> <li>If you connect a ground cable to the ground point on the chassis shell and the neutral wire is not used, you are advised to use a three-core (L1, L2, and L3) outdoor cable and M12 OT/DT terminals (L1, L2, and L3).</li> <li>If you connect a ground cable to the ground point in the maintenance compartment and the neutral wire is not used, you are advised to use a four-core (L1, L2, L3, and PE) outdoor cable, M12 OT/DT terminals (L1, L2, and L3), and M10 OT/DT terminals (PE).</li> <li>If you connect a ground cable to the ground point on the chassis shell and the neutral wire is used, you are advised to use a four-core (L1, L2, L3, and N) outdoor cable and M12 OT/DT terminals (L1, L2, L3, and N).</li> <li>If you connect a ground cable to the ground point in the maintenance compartment and the neutral wire is used, you are advised to use a five-core (L1, L2, L3, N, and PE) outdoor cable, M12 OT/DT terminals (L1, L2, L3, and N), and M10 OT/DT terminals (PE).</li> </ul>	<ul style="list-style-type: none"> <li>Copper cable                             <ul style="list-style-type: none"> <li>– S: 70–240 mm<sup>2</sup></li> <li>– <math>S_p \geq S/2</math></li> </ul> </li> <li>Aluminum alloy cable or copper-clad aluminum cable:                             <ul style="list-style-type: none"> <li>– S: 95–240 mm<sup>2</sup></li> <li>– <math>S_p \geq S/2</math></li> </ul> </li> </ul>	24–66 mm
	AC output power cable (single-core)	You are advised to use a single-core outdoor cable and M12 OT/DT terminals.	<ul style="list-style-type: none"> <li>Copper cable                             <ul style="list-style-type: none"> <li>– S: 70–240 mm<sup>2</sup></li> </ul> </li> <li>Aluminum alloy cable or copper-clad aluminum cable:                             <ul style="list-style-type: none"> <li>– S: 95–240 mm<sup>2</sup></li> </ul> </li> </ul>	14–32 mm
4	DC input power cable	PV cable that meets the 1100 V standard	4–6 mm <sup>2</sup>	5.5–9 mm
5	RS485 communications cable	Outdoor shielded twisted pair that meets the local standard	0.25–1 mm <sup>2</sup>	<ul style="list-style-type: none"> <li>One or two communications cables: 4–11 mm</li> <li>Three communications cables: 4–8 mm</li> </ul>

- The value of  $S_p$  is valid only if the conductors of the PE cable and AC power cable use the same material. If the materials are different, ensure that the conductor of the PE cable with a proper cross-sectional area produces a conductance equivalent to that of the cable specified in the table.
- The specifications of the PE cable are subject to this table or calculated according to IEC 60364-5-54.

## 4.2 Installing a PE Cable

### NOTE

- It is recommended that the PE cable of the solar inverter be connected to a nearby ground point. Connect the PE points of all solar inverters in the same array to ensure equipotential connections to PE cables.
- To enhance the corrosion resistance of a ground terminal, you are advised to apply silica gel or paint on it after connecting the PE cable.



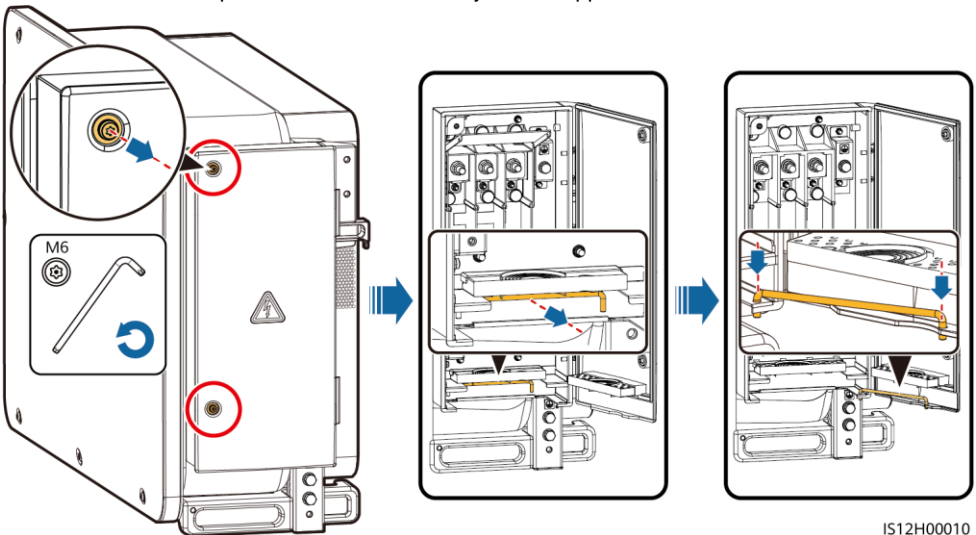
## 4.3 Opening the Maintenance Compartment Door

### WARNING

- Do not open the panel of the solar inverter.
- Before opening the maintenance compartment door, turn off the downstream AC output switch and three DC switches at the bottom.
- Do not open the maintenance compartment door in rainy or snowy days. If you have to, take protective measures to prevent rain or snow from entering the maintenance compartment.
- Do not leave unused screws in the maintenance compartment.

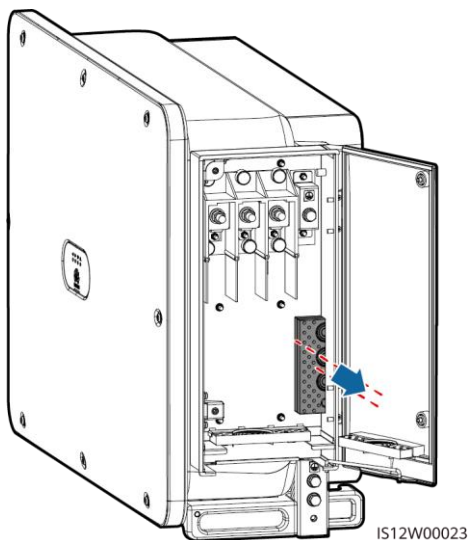
1. Loosen the screws on the maintenance compartment door.

2. Open the maintenance compartment door and adjust the support bar.

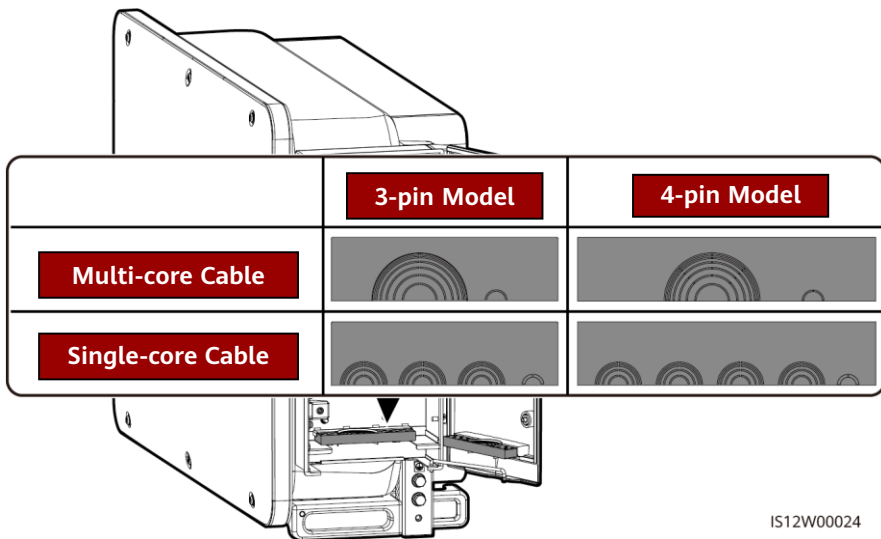




3. Remove the accessories and set them aside.



4. Select a crimping module according to the type of the AC output power cable.

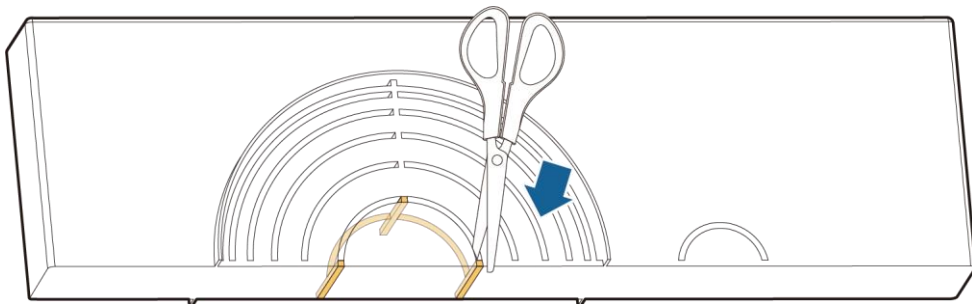


## 4.4 Removing the Rubber Rings from the Crimping Module

Use scissors to cut off the joints of the rubber rings to remove them. All rubber rings are removed in the same way.

### NOTICE

Remove the corresponding rubber rings strictly according to the cable diameter range, and ensure that the crimping module is not damaged. Otherwise, the protection level of the solar inverter will be affected.

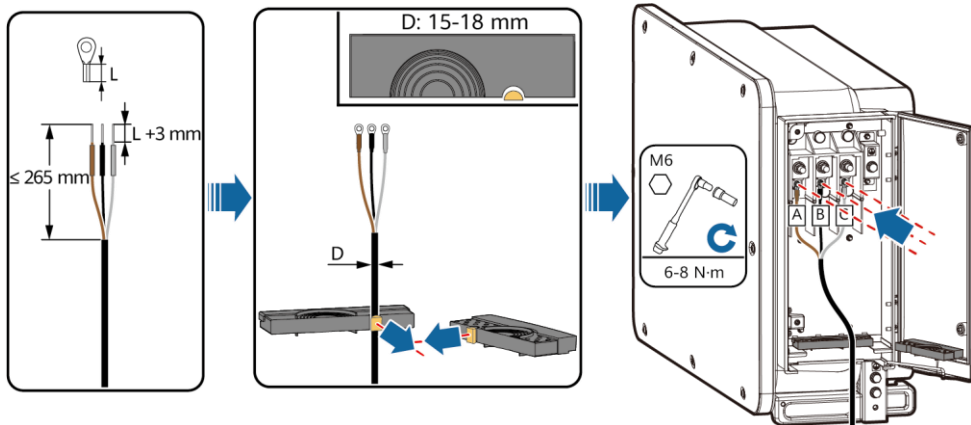


IS06H00106

## 4.5 (Optional) Installing the Tracking System Power Cable

### NOTICE

- The tracking system should be equipped with an overcurrent protective device or component. The length of the cable between the power cable terminal and the overcurrent protection device or component must be less than or equal to 2.5 m.
- The power supply of the tracking system should be an AC three-phase power grid.
- Keep inflammable materials away from the power cable.
- The power cable must be protected with a conduit to prevent short circuits caused by insulation layer damage.



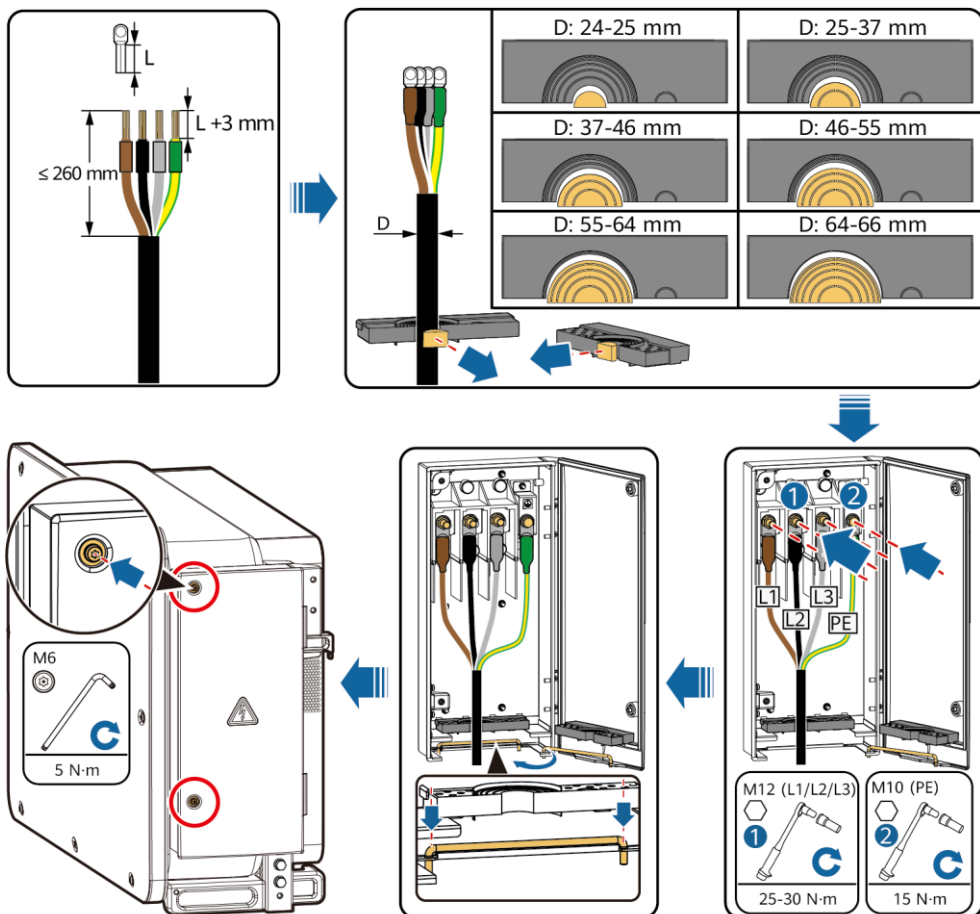
IS12I20002

## 4.6 Installing the AC Output Power Cable

### NOTICE

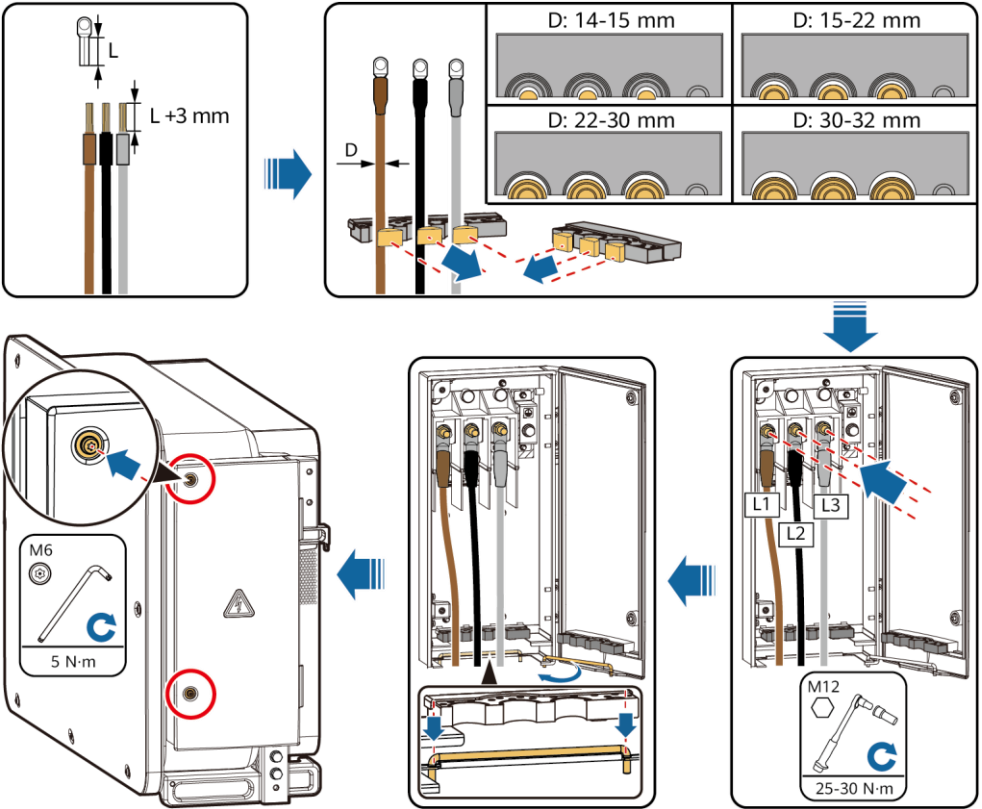
- This section describes how to install an AC output power cable for the 3-pin model.
- The cable outer diameter can be measured using the ruler sticker in the maintenance compartment.
- Ensure that the AC output power cable is secured. Failure to do so may cause the solar inverter to malfunction or damage to its terminal block by issues such as overheating.
- Sufficient slack should be provided in the PE cable to ensure that the last cable bearing the force is the PE cable when the AC output power cable bears pulling force due to force majeure.
- If a screw on the maintenance compartment door is lost, obtain the spare screw from the fitting bag tied at the bottom of the maintenance compartment.

### Multi-core Connection Method



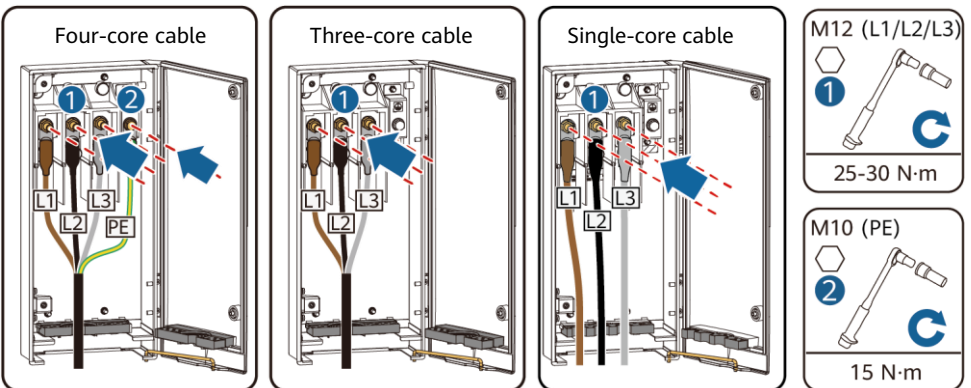
IS12I20001

## Single-core Connection Method



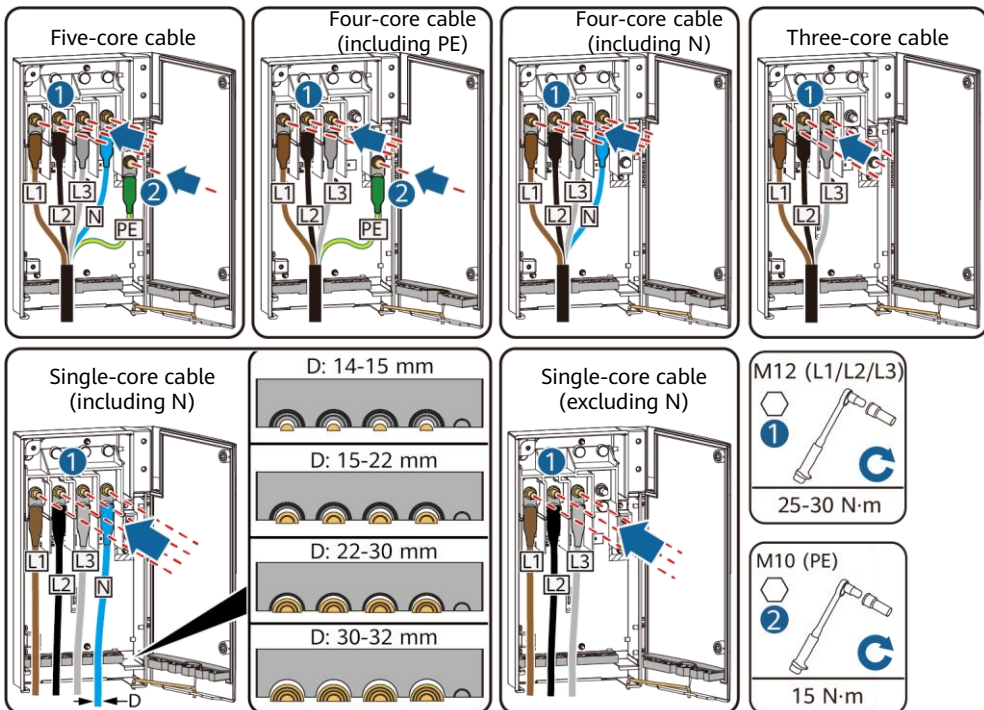
IS12120004

## 3-pin Model (125KTL) Cable Connections



IS12120007

## 4-pin Model (100KTL/110KTL) Cable Connections



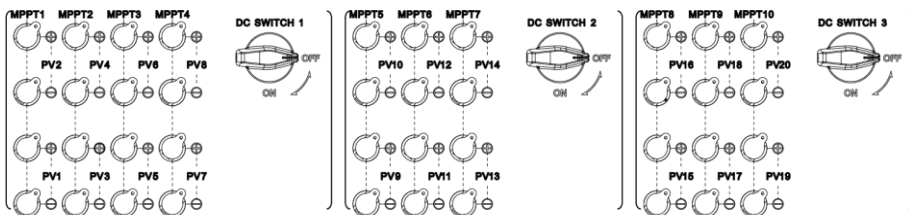
IS12I20008

## 4.7 Installing DC Input Power Cables

### Selecting DC Input Terminals

When the DC inputs are not fully configured, the DC input terminals must meet the following requirements:

1. Evenly distribute the DC input power cables on the DC input terminals controlled by the three DC switches. DC SWITCH 1 is preferred.
2. Maximize the number of connected MPPT circuits.



IS12W00020

### ⚠ WARNING

Ensure that the PV module output is well insulated to ground.

## Wiring Description of Y-branch Connectors

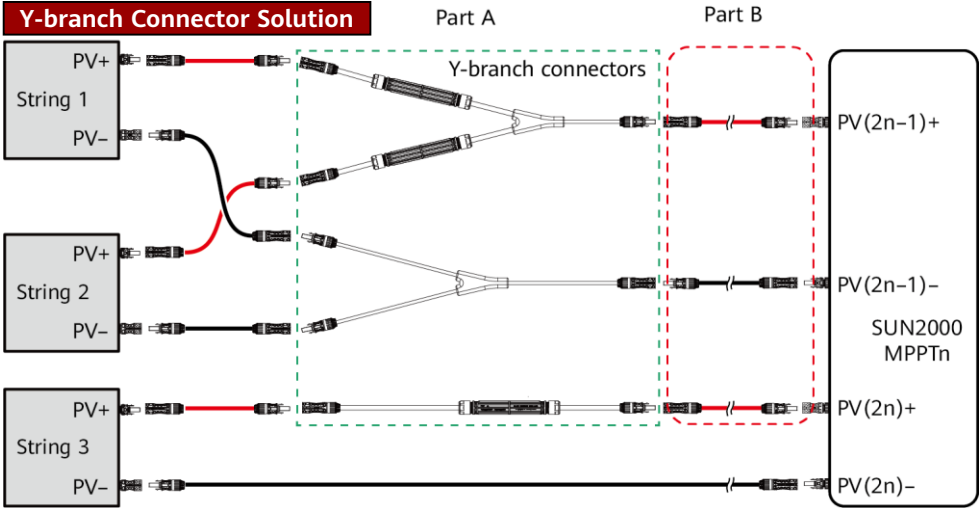
### NOTICE

- Y-branch connectors can be purchased from Huawei or the manufacturers based on the following recommended models: If the rated current of the fuse of the Y-branch connector is 15 A, the recommended model is 904095944 (Luxshare) or A040959443039 (Comlink); if the rated current of the fuse of the Y-branch connector is 20 A, the recommended model is 904095945 (Luxshare) or A040959453039 (Comlink).
- When connecting cables to recommended Y-branch connectors, ensure that the connectors to be paired match each other and are from the same manufacturer. Otherwise, the contact resistance of the connectors may exceed the allowed value. In this case, the connectors may be heated and oxidized, which may cause faults.
- Ensure that the locking nuts of all connectors are tightened.
- Do not bind more than three fuse enclosures together. Otherwise, the fuses and their enclosures may be damaged due to overheating. It is recommended that a clearance of 10 mm or more be reserved between fuse enclosures. You are advised not to bind the fuse enclosures with other heat emitting conductors.

Wiring rules:

1. The PV+ on the string side must be connected to the PV+ on the SUN2000 side, and the PV- on the string side must be connected to the PV- on the SUN2000 side.
2. Preferentially and evenly connect the Y-branch connectors to the MPPTs controlled by DC SWITCH 2 or DC SWITCH 3.

### Y-branch Connector Solution



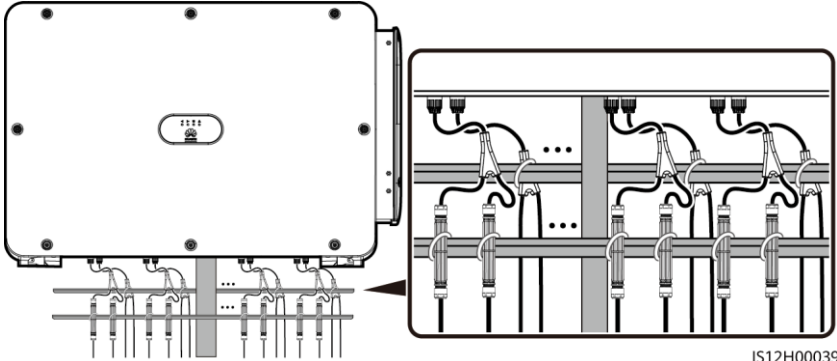
ISO6130012

Scenario	Model of Y-branch Connector (Part A)	Connection Description
Connecting Y-branch connectors to the PV strings (recommended)	All models	Use the DC terminals delivered with the SUN2000s to connect part B to the SUN2000s.
Connecting Y-branch connectors to the SUN2000	Models recommended by Huawei	Part A can be directly connected to the SUN2000, and part B is not needed.
	Other models	To ensure that the terminals of part A match the DC terminals of the SUN2000, part B is needed to connect part A to the SUN2000. Use the DC terminals delivered with the SUN2000 to connect part B to the SUN2000.

## NOTICE

- It is recommended that the Y-branch connectors be connected from the PV string side and tied to the PV trackers.
- The DC input terminals of the solar inverter are prone to damage under stress. When Y-branch connectors are connected to the solar inverter, bind and secure the connectors to prevent the DC input terminals from bearing stress.
- Do not place the Y-branch connector harness on the ground. A safe distance must be reserved between the Y-branch connector harness and the ground to avoid impact caused by water on the ground to the harness.

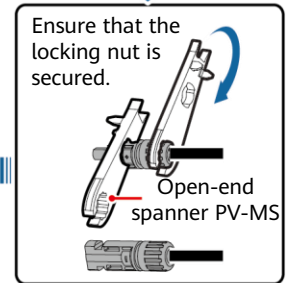
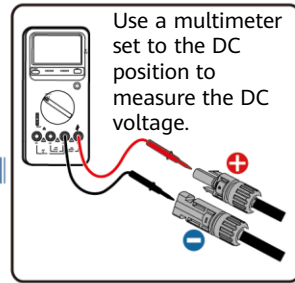
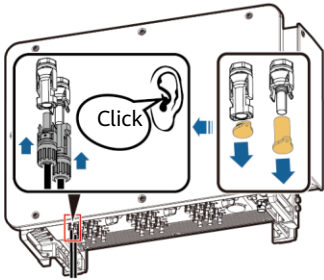
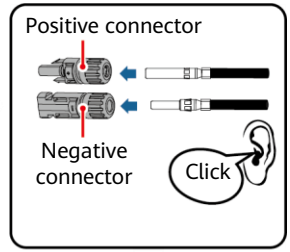
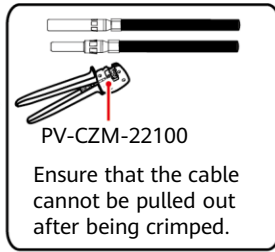
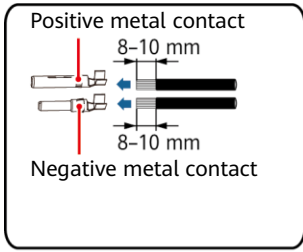
Recommended tying solution:



## Installing a DC input power cable

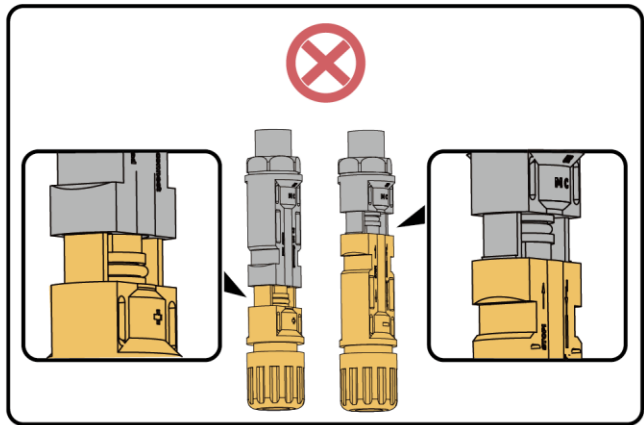
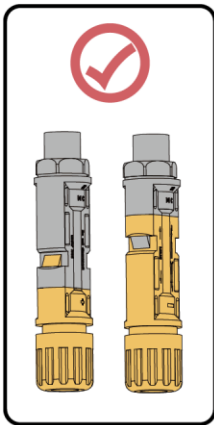
### NOTICE

1. Use the positive and negative Staubli MC4 metal contacts and DC connectors supplied with the solar inverter. Using incompatible positive and negative metal contacts and DC connectors may result in serious consequences. The caused device damage is not covered under any warranty.
2. Before connecting the DC input power cables, label the cable polarities to ensure correct cable connections. Otherwise, the solar inverter may be damaged.
3. Measure the voltage at the DC input end using a multimeter set to the DC position. If the voltage is a negative value, the DC input polarity is incorrect. Correct the polarity. If the voltage is greater than 1100 V, too many PV modules are configured to the same string. Remove some PV modules.
4. If the DC input power cable is reversely connected and the DC switches are set to ON, do not perform any operation on the switches or the positive and negative connectors. Otherwise, the device may be damaged. The caused device damage is not covered under any warranty. Wait until the solar irradiance weakens at night and the PV string current decreases below 0.5 A. Set the three DC switches to OFF, and correct the connection of positive and negative connectors.
5. Connect the PV string connector to the inverter connector, and then pull back the PV string connector along the axial direction to check whether the connectors are securely connected.
6. The connector must be securely connected. Damages caused by improper connection are not covered under the warranty.



IS12130001

Connector connection:



IS12130007

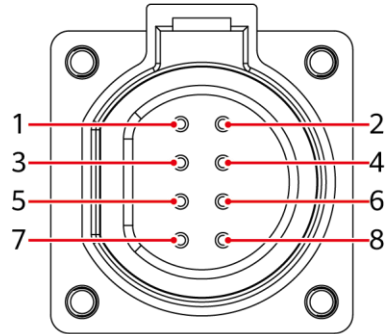


## 4.8 Installing the RS485 Communications Cable

### NOTICE

- The solar inverter supports RS485 communication and MBUS communication. If the MBUS communication mode is used, you do not need to connect the communications cable to the RS485-1 port.
- This section describes how to connect three communications cables.
- When routing communications cables from power cables to prevent communication from being affected.

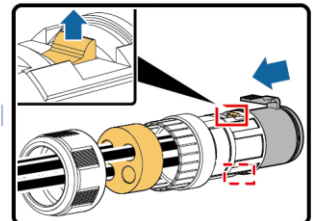
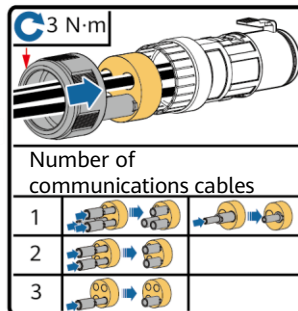
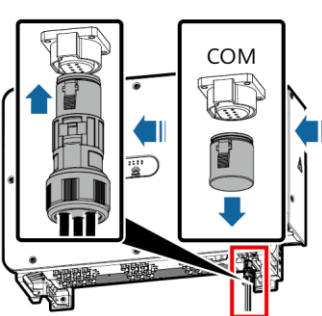
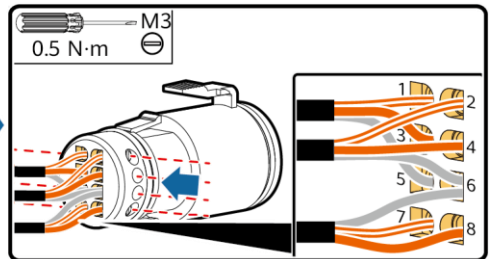
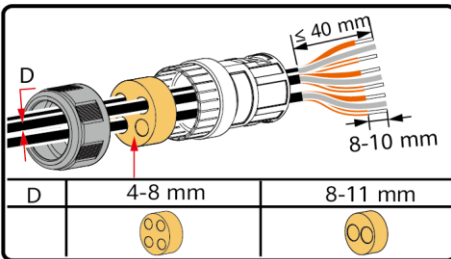
### Pin Definitions of Communications Ports



IS05W00024

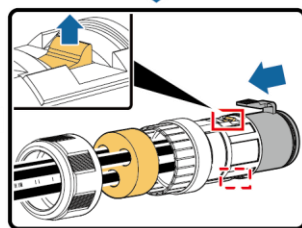
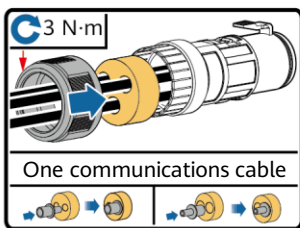
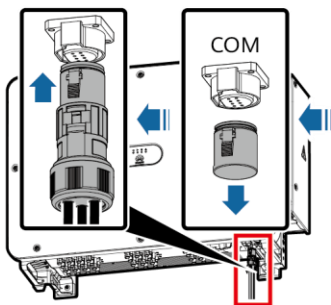
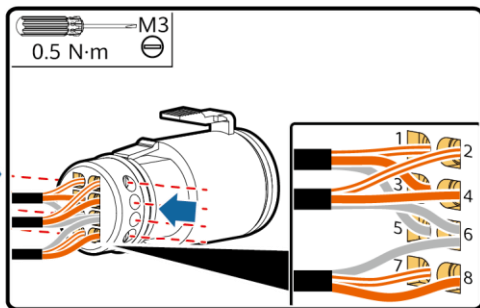
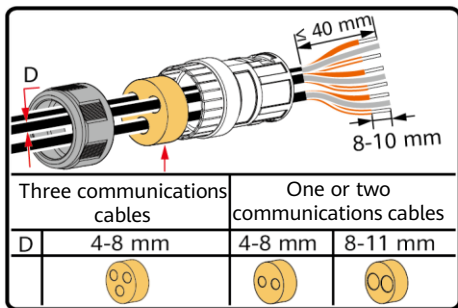
Port	Pin	Definition	Pin	Definition	Description
RS485-1	1	RS485A IN, RS485 differential signal+	2	RS485A OUT, RS485 differential signal+	Used for cascading solar inverters or connecting to devices such as the SmartLogger.
	3	RS485B IN, RS485 differential signal-	4	RS485B OUT, RS485 differential signal-	
Protection ground	5	PE, shielding ground	6	PE, shielding ground	N/A
RS485-2	7	RS485A, RS485 differential signal+	8	RS485B, RS485 differential signal-	Used for connecting to RS485 slave devices.

### Connecting RS485 communications cables (4–8 mm four-hole rubber plug)



IS12I40003

## Connecting RS485 communications cables (4-8 mm two-hole or three-hole rubber plug)



IS12140001

## 5 Verifying the Installation

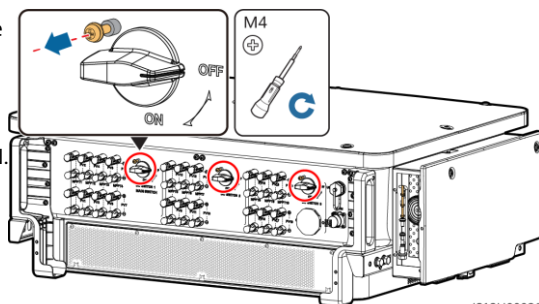
No.	Acceptance Criteria
1	The solar inverter is installed correctly and securely.
2	The DC switches and downstream AC switch are set to OFF.
3	All cables are connected correctly and securely.
4	Unused terminals and ports are locked by watertight caps.
5	The installation space is proper, and the installation environment is clean and tidy.
6	The maintenance compartment door is closed and secured.

## 6 Powering On the System



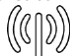

### NOTICE

Before turning on the AC switch between the solar inverter and the power grid, check that the AC voltage is within the specified range using a multimeter set to the AC position.

1. Turn on the AC switch between the solar inverter and the power grid.
2. (Optional) Remove the screws that secure DC SWITCH 1, DC SWITCH 2, and DC SWITCH 3, and keep the screws properly for the power-off maintenance later.
3. Set DC SWITCH 1 (MAIN SWITCH) at the bottom of the solar inverter chassis to ON.
4. Check the status of the PV connection indicator. If it is steady green, set DC SWITCH 2 and DC SWITCH 3 to ON.
5. Observe the LED indicators to check the operating status of the solar inverter.



IS12H00031

Indicator	Status (Blinking Fast: On for 0.2s and then Off for 0.2s; Blinking Slowly: On for 1s and then Off for 1s)	Description	
PV connection indicator 	Steady green	At least one PV string is properly connected, and the DC input voltage of the corresponding MPPT circuit is at least 200 V.	
	Blinking green fast	If the alarm/maintenance indicator is red, an environmental fault at the DC side of the solar inverter is generated.	
	Off	The solar inverter disconnects from all PV strings, or the DC input voltage of all MPPT circuits is less than 200 V.	
Grid connection indicator 	Steady green	The solar inverter is in grid-tied mode.	
	Blinking green fast	If the alarm/maintenance indicator is red, an environmental fault at the AC side of the solar inverter is generated.	
	Off	The solar inverter is not in grid-tied.	
Communications indicator 	Blinking green fast	The solar inverter receives communication data normally.	
	Off	The solar inverter has not received communication data for 10 seconds.	
Alarm/Maintenance indicator 	Alarm status	Steady red	A major alarm is generated. <ul style="list-style-type: none"> <li>• If the PV connection indicator or grid connection indicator is blinking green fast, troubleshoot DC or AC environmental faults as instructed by the SUN2000 app.</li> <li>• If the PV connection indicator and grid connection indicator are both not blinking green fast, replace components or the solar inverter as instructed by the SUN2000 app.</li> </ul>
		Blinking red fast	A minor alarm is generated.
		Blinking red slowly	A warning alarm is generated.
	Local maintenance status	Steady green	Local maintenance succeeds.
		Blinking green fast	Local maintenance fails.
		Blinking green slowly	In local maintenance or shuts down over a command.

## 7 Commissioning

### NOTE

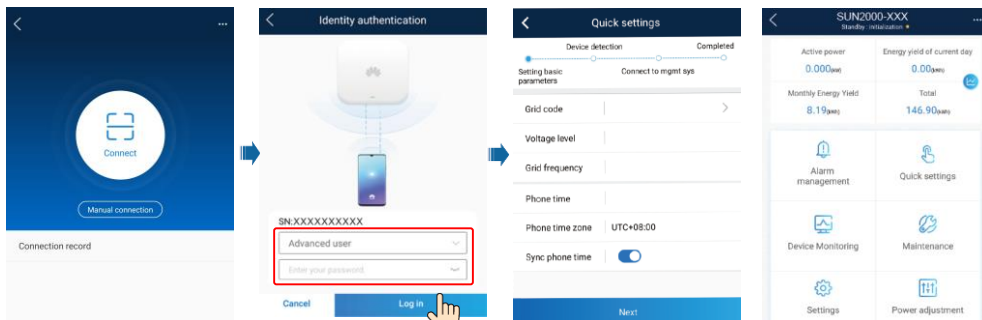
- The FusionSolar app is recommended when the solar inverter is connected to the FusionSolar smart PV management system. The SUN2000 app is recommended when the solar inverter is connected to other management systems.
- The FusionSolar app or SUN2000 app communicates with the solar inverter through the WLAN module, Bluetooth module, or USB data cable to provide functions such as alarm query, parameter settings, and routine maintenance.
- Access the Huawei app store (<http://appstore.huawei.com>), search for FusionSolar or SUN2000, and download the app installation package.

### Scenario in Which Solar Inverters Are Connected to the FusionSolar Smart PV Management System

1. Enable the public network of the mobile phone, open the FusionSolar app, log in to [intl.fusionsolar.huawei.com](http://intl.fusionsolar.huawei.com) as installer account, and choose **My** > **Device commissioning**. Then, scan the QR code on the WLAN module or the bar code on the Bluetooth, or connect a USB data cable, a Bluetooth module, or a WLAN module to the USB port of the inverter to implement communication between the inverter and the app.
2. Select **Advanced user** and enter the login password.
3. Tap **Log in** and go to the **Quick Settings** screen or function menu screen.

### Scenario in Which Solar Inverters Are Connected to Other Management Systems

1. Open the SUN2000 app, scan the QR code on the WLAN module or the bar code on the Bluetooth module, or connect a USB data cable, a Bluetooth module, or a WLAN module to the USB port of the inverter to implement communication between the inverter and the app.
2. Select **Advanced user** and enter the login password.
3. Tap **Log in** and go to the **Quick Settings** screen or function menu screen.



## NOTICE

- The screenshots in this document correspond to FusionSolar app version 5.7.008 (this app is available only on Android phones currently).
- The screenshots in this document correspond to SUN2000 app version 3.2.00.013 (this app is available only on Android phones currently).
- When the WLAN connection is used, the initial name of the WLAN hotspot is **Adapter-WLAN module SN**, and the initial password is **Changeme**.
- The initial password to log in to the app for **Common User**, **Advanced User**, and **Special User** is **00000a**.
- Use the initial password upon first power-on and change it immediately after login. To ensure account security, change the password periodically and keep the new password in mind. Not changing the initial password may cause password disclosure. A password left unchanged for a long period of time may be stolen or cracked. If a password is lost, devices cannot be accessed. In these cases, the user is liable for any loss caused to the PV plant.
- Set the correct grid code based on the application area and scenario of the solar inverter.

## NOTE

For details about the operations of the SUN2000 app and FusionSolar app, see the *FusionSolar App Quick Guide*. You can download the reference by scanning the QR code on the right.



or



**Huawei Technologies Co., Ltd.**  
Huawei Industrial Base, Bantian, Longgang  
Shenzhen 518129 People's Republic of China  
[solar.huawei.com](http://solar.huawei.com)